

HCS-3600 Series Economical Conference System

HCS-3600 Series Conference Units' Functions List	6.4
HCS-3638 Series Conference Units	6.5
HCS-3638C_S Economical Conference System Chairman Unit (tabletop, champagne panel + gray base).....	6.5
HCS-3638C_B Economical Conference System Chairman Unit (tabletop, champagne panel + black base).....	6.5
HCS-3638CF_S Economical Conference System Chairman Unit (tabletop, champagne panel + gray base, fixed gooseneck).....	6.7
HCS-3638CF_B Economical Conference System Chairman Unit (tabletop, champagne panel + black base, fixed gooseneck).....	6.7
HCS-3638D_S Economical Conference System Delegate Unit (tabletop, champagne panel + gray base).....	6.9
HCS-3638D_B Economical Conference System Delegate Unit (tabletop, champagne panel + black base).....	6.9
HCS-3638DF_S Economical Conference System Delegate Unit (tabletop, champagne panel + gray base, fixed gooseneck).....	6.11
HCS-3638DF_B Economical Conference System Delegate Unit (tabletop, champagne panel + black base, fixed gooseneck).....	6.11
HCS-3670/71/55 Series Conference Units	6.13
HCS-3670C Economical Conference System Chairman Unit (tabletop/flush-mounting, 5 voting keys, 256×32 LCD, IC-Card, charcoal gray).....	6.13
HCS-3670D Economical Conference System Delegate Unit (tabletop/flush-mounting, 5 voting keys, 256×32 LCD, IC-Card, charcoal gray).....	6.15
HCS-3671DE Economical Conference System Delegate Unit (tabletop/flush-mounting, 5 voting keys, charcoal gray).....	6.17
HCS-3655C Economical Conference System Chairman Unit (tabletop/flush-mounting, charcoal gray).....	6.19
HCS-3655D Economical Conference System Delegate Unit (tabletop/flush-mounting, charcoal gray).....	6.21
HCS-3660/62 Series Conference Units	6.23
HCS-3660CBE Economical Conference System Chairman Unit (flush-mounting, 5 voting keys, IC-Card, cover, charcoal gray).....	6.23
HCS-3660DBE Economical Conference System Delegate Unit (flush-mounting, 5 voting keys, IC-Card, cover, charcoal gray).....	6.25
HCS-3662DB Economical Conference System Delegate Unit (flush-mounting, cover, charcoal gray).....	6.27
HCS-3630 Series Conference Units	6.29
HCS-3630CAE Economical Conference System Chairman Unit (tabletop, 5 voting keys, IC-Card, charcoal gray).....	6.29
HCS-3630CAE_S Economical Conference System Chairman Unit (tabletop, 5 voting keys, IC-Card, silver).....	6.29
HCS-3630DAE Economical Conference System Delegate Unit (tabletop, 5 voting keys, IC-Card, charcoal gray).....	6.31
HCS-3630DAE_S Economical Conference System Delegate Unit (tabletop, 5 voting keys, IC-Card, silver).....	6.31
HCS-3641N Series Conference Units	6.33
HCS-3641NC Economical Conference System Chairman Unit (flush-mounting, silver).....	6.33
HCS-3641NC_G Economical Conference System Chairman Unit (flush-mounting, charcoal gray).....	6.33
HCS-3641ND Economical Conference System Delegate Unit (flush-mounting, silver).....	6.34
HCS-3641ND_G Economical Conference System Delegate Unit (flush-mounting, charcoal gray).....	6.34

HCS-3643NT Series 3-key Voting Units		6.36
HCS-3643NCTE	Economical Voting System Chairman Unit (flush-mounting, 3 voting keys, silver).....	6.36
HCS-3643NCTE_G	Economical Voting System Chairman Unit (flush-mounting, 3 voting keys, charcoal gray).....	6.36
HCS-3643NDTE	Economical Voting System Delegate Unit (flush-mounting, 3 voting keys, silver).....	6.36
HCS-3643NDTE_G	Economical Voting System Delegate Unit (flush-mounting, 3 voting keys, charcoal gray).....	6.36
HCS-3643NCTKE	Economical Voting System Chairman Unit (flush-mounting, 3 voting keys, IC-Card, silver).....	6.37
HCS-3643NCTKE_G	Economical Voting System Chairman Unit (flush-mounting, 3 voting keys, IC-Card, charcoal gray).....	6.37
HCS-3643NDTKE	Economical Voting System Delegate Unit (flush-mounting, 3 voting keys, IC-Card, silver).....	6.38
HCS-3643NDTKE_G	Economical Voting System Delegate Unit (flush-mounting, 3 voting keys, IC-Card, charcoal gray).....	6.38
HCS-3643NF Series 5-key Voting Units		6.39
HCS-3643NCFE	Economical Voting System Chairman Unit (flush-mounting, 5 voting keys, silver).....	6.39
HCS-3643NCFE_G	Economical Voting System Chairman Unit (flush-mounting, 5 voting keys, charcoal gray).....	6.39
HCS-3643NDFE	Economical Voting System Delegate Unit (flush-mounting, 5 voting keys, silver).....	6.40
HCS-3643NDFE_G	Economical Voting System Delegate Unit (flush-mounting, 5 voting keys, charcoal gray).....	6.40
HCS-3643NCFKE	Economical Voting System Chairman Unit (flush-mounting, 5 voting keys, IC-Card, silver).....	6.41
HCS-3643NCFKE_G	Economical Voting System Chairman Unit (flush-mounting, 5 voting keys, IC-Card, charcoal gray).....	6.41
HCS-3643NDFKE	Economical Voting System Delegate Unit (flush-mounting, 5 voting keys, IC-Card, silver).....	6.42
HCS-3643NDFKE_G	Economical Voting System Delegate Unit (flush-mounting, 5 voting keys, IC-Card, charcoal gray).....	6.42
HCS-4844N Series Flush Loudspeaker Panels		6.43
HCS-4844N_S/50	Flush Loudspeaker Panel (silver).....	6.43
HCS-4844N_G/50	Flush Loudspeaker Panel (charcoal gray).....	6.43
HCS-4844NA_S/50	Flush Loudspeaker Panel (silver, cover).....	6.43
HCS-4844NA_G/50	Flush Loudspeaker Panel (charcoal gray, cover).....	6.43
HCS-4845N Series Flush End Caps		6.43
HCS-4845N_S/50	Flush End Cap (silver, 50 pairs/pack).....	6.43
HCS-4845N_G/50	Flush End Cap (charcoal gray, 50 pairs/pack).....	6.43
HCS-4846N Series Covers		6.44
HCS-4846N1_S/50	Cover (for one unit, 214 mm, silver).....	6.44
HCS-4846N1_G/50	Cover (for one unit, 214 mm, charcoal gray).....	6.44
HCS-4846N2_S/50	Cover (for two units, 325 mm, silver).....	6.44
HCS-4846N2_G/50	Cover (for two units, 325 mm, charcoal gray).....	6.44
HCS-3600M Series Digital Conference System Main Units		6.45
HCS-3600MB2	Economical Conference System Main Unit (discussion, voting, 256x32 LCD, 6P sockets).....	6.45
HCS-3600MBP2	Economical Conference System Main Unit (discussion, 256x32 LCD, 6P sockets).....	6.47
HCS-3600ME Economical Conference System Extension Main Unit (6P sockets)		6.50

HCS-3600 Series Application Software	6.51
HCS-4210TS/20 Basic System Setup Management Software Module	6.52
HCS-4212TS/20 Professional Venue Design Software Module	6.56
HCS-4213TS/20 Microphone Management Software Module	6.57
HCS-4214TS/20S Voting Management Software Module (including delegate management, multiform voting, less than 49 seats)	6.58
HCS-4215TS/20 Video Control Software Module	6.60
HCS-4219TS/20 Synchronous Audio Recording Management Software Module	6.60
HCS-4221TS/20 Multi-user Conference Control Software Module	6.61
HCS-4222TS/20 Dual PC Server Hot Spare Software Module	6.61
HCS-4223TS/20 Agenda Control Software Module	6.62
HCS-4224TS/20 Speech Prompt Software Module	6.62
HCS-4226TS/20 Touched IC-Card Sign in Management Software Module	6.63
HCS-4243TS/20 Digital HD Video Recording Management Software Module	6.64

HCS-3600 Series Contribution Units' Function List

Type No.	Status	Lang.	Mic.	Voting	Graphic LCD	IC-Card reader	Loudspeaker	Main Unit	Cable	Mounting	Color	Dimensions (h x w x d, mm)
HCS-3638C	C		√				√	HCS-3600MB2 HCS-3600MBP2	6P-DIN	Tabletop	champagne panel + gray base / champagne panel + black base	73×101×133 (excl. stem mic.)
HCS-3638D	D		√			√						
HCS-3638CF	C		√			√						
HCS-3638DF	D		√			√						
HCS-3670C	C	CHI/ENG	√	5-key	√	√	√	HCS-3600MB2	6P-DIN	Tabletop/ Flush-mounting	Charcoal gray	55×245×137 (excl. stem mic.)
HCS-3670D	D	CHI/ENG	√	5-key	√	√	√					
HCS-3671DE	D	ENG	√	5-key			√					
HCS-3655C	C		√				√	HCS-3600MB2 HCS-3600MBP2	6P-DIN	Tabletop/ Flush-mounting	Charcoal gray	55×245×137 (excl. stem mic.)
HCS-3655D	D		√				√					
HCS-3660CBE	C	ENG	√	5-key		√	√	HCS-3600MB2	6P-DIN	Flush-mounting	Charcoal gray	57×220×100 (excl. stem mic.)
HCS-3660DBE	D	ENG	√	5-key		√	√					
HCS-3662DB	D		√				√	HCS-3600MB2 HCS-3600MBP2	6P-DIN	Tabletop	Charcoal gray / Silver	59×157×112 (excl. stem mic.)
HCS-3630CAE	C	ENG	√	5-key		√	√	HCS-3600MB2	6P-DIN	Tabletop	Charcoal gray / Silver	59×157×112 (excl. stem mic.)
HCS-3630DAE	D	ENG	√	5-key		√	√					
HCS-3641NC	C		√					HCS-3600MB2 HCS-3600MBP2	6P-DIN	Tabletop	Charcoal gray / Silver	83×111×41 (excl. stem mic.)
HCS-3641ND	D		√									
HCS-3643NCTE	C	ENG		3-key				HCS-3600MB2	6P-DIN	Flush-mounting	Charcoal gray / Silver	83×111×41
HCS-3643NDTE	D	ENG		3-key								
HCS-3643NCTKE	C	ENG		3-key		√						
HCS-3643NDTKE	D	ENG		3-key		√						
HCS-3643NCFE	C	ENG		5-key								
HCS-3643NDFE	D	ENG		5-key								
HCS-3643NCFKE	C	ENG		5-key		√						
HCS-3643NDFKE	D	ENG		5-key		√						

HCS-3638C Chairman Unit



Features

- Stylish and ergonomic design
- Smaller, economical and practical, convenient for transportation
- Connection cable is routed from the bottom through the hole in the table for a tidy desktop
- Hi-Fi loudspeaker
- Priority key
- Pluggable stem microphone
- Excellent immunity to RF interference from mobile phones

The stylish and ergonomically designed chairman unit has all the necessary facilities to enable the user to chair a conference. It has excellent immunity to RF interference from mobile phones. Similar in appearance to HCS-3638D Delegate Unit, the HCS-3638C Chairman Unit includes a microphone priority button. When pressed, the priority button causes all currently active delegate microphones to be switched off temporarily or permanently, allowing the chairman to take control of the meeting. The loudspeaker offers superior acoustics with minimal feedback for enhanced intelligibility.

Functions

- Compliant to IEC 60914
- Excellent immunity to RF interference from mobile phones and comparable devices
- Mini-microphone, with foam windshield
- Stem microphone can be unplugged during adjournment, easy to maintain
- Hi-Fi loudspeaker, minimal feedback, mutes automatically when microphone is active
- Microphone On/Off button
- System when operated in stand-alone mode can implement the following facilities:
 - ◆ “ACTIVE MICS”, set the number of delegates permitted to speak at the same time

- ◆ “OPEN” mode, microphone key with request-to-speak registration (AUTO)
- ◆ “OVERRIDE” mode, microphone key control with override of the active microphones (FIFO)
- ◆ “VOICE” mode, microphone activation on speaking
- ◆ “APPLY” mode, delegate applies to speak by pressing apply key, delegate can speak only when operator or chairman approved his application
- ◆ In “OPEN/OVERRIDE/APPLY” mode, chairman unit can be set up as “Dais mode”, it will keep active all the time
- Automatic video tracking, when cooperating with camera and video switcher unit
- Can be activated at any time
- Priority key can switch off or mute the speaking units according to preset
- Approves/denies all delegates' speaking requests
- System supports up to 100 chairman units, while only one chairman unit has the control facilities listed above (set by software)

Controls and Indicators

- Uni-directional electret condenser microphone with illuminated ring
- Headphones volume up and down
- Microphone On/Off button with indicator
- Priority key

Interconnections

- Socket for pluggable stem microphone
- Ø 3.5 mm stereo headphone jack
- 1.5 m cable with 6P-DIN plug
- 0.6 m cable with 6P-DIN socket

Technical Specifications

Electrical

Max. consumption.....0.8 W

Headphone connection

Frequency response.....40 Hz to 16 kHz

Earphone load impedance.....>16 Ohm

Earphone output.....10 mW

Microphone

Transducer.....Electret-condenser

Polar pattern.....Uni-directional

Operating voltage.....5 VDC

Sensitivity.....-46 dBV/Pa

Frequency response.....80 Hz to 18 kHz

Input impedance.....2 kOhm

Directivity 0°/180°.....> 20 dB (1 kHz)

Equivalent noise.....25 dBA (SPL)

Maximum sound pressure level.....125 dB (THD<3%)

Interface data

Connector.....Ø 3.5 mm stereo jack for headphone

Mechanical

Mounting..... Tabletop
Dimensions (h x w x d) (w/o stem microphone)...73 x 101 x 133 mm
Weight (incl. stem microphone)..... 0.6 kg
Color..... Champagne (PANTONE 401 C) panel + gray (PANTONE
424 C) base / Champagne (PANTONE 401 C) panel +
black (PANTONE 419 C) base
Stem length..... 410 mm (standard version),
240 mm, 330 mm, 470 mm

Ordering Information

HCS-3638C_S.....Economical Conference System Chairman Unit
(tabletop, champagne panel + gray base)
HCS-3638C_B.....Economical Conference System Chairman Unit
(tabletop, champagne panel + black base)

HCS-3638CF Chairman Unit



Features

- Stylish and ergonomic design
- Smaller, economical and practical, convenient for transportation
- Connection cable is routed from the bottom through the hole in the table for a tidy desktop
- Hi-Fi loudspeaker
- Priority key
- Fixed stem microphone
- Excellent immunity to RF interference from mobile phones

The stylish and ergonomically designed chairman unit has all the necessary facilities to enable the user to chair a conference. It has excellent immunity to RF interference from mobile phones. Similar in appearance to HCS-3638DF Delegate Unit, the HCS-3638CF Chairman Unit includes a microphone priority button. When pressed, the priority button causes all currently active delegate microphones to be switched off temporarily or permanently, allowing the chairman to take control of the meeting. The loudspeaker offers superior acoustics with minimal feedback for enhanced intelligibility.

Functions

- Compliant to IEC 60914
- Excellent immunity to RF interference from mobile phones and comparable devices
- Mini-microphone, with foam windshield
- Fixed stem microphone
- Hi-Fi loudspeaker, minimal feedback, mutes automatically when microphone is active
- Microphone On/Off button
- System when operated in stand-alone mode can implement the following facilities:
 - ◆ “ACTIVE MICS”, set the number of delegates permitted to speak at the same time

- ◆ “OPEN” mode, microphone key with request-to-speak registration (AUTO)
- ◆ “OVERRIDE” mode, microphone key control with override of the active microphones (FIFO)
- ◆ “VOICE” mode, microphone activation on speaking
- ◆ “APPLY” mode, delegate applies to speak by pressing apply key, delegate can speak only when operator or chairman approved his application
- ◆ In “OPEN/OVERRIDE/APPLY” mode, chairman unit can be set up as “Dais mode”, it will keep active all the time
- Automatic video tracking, when cooperating with camera and video switcher unit
- Can be activated at any time
- Priority key can switch off or mute the speaking units according to preset
- Approves/denies all delegates' speaking requests
- System supports up to 100 chairman units, while only one chairman unit has the control facilities listed above (set by software)

Controls and Indicators

- Uni-directional electret condenser microphone with illuminated ring
- Headphones volume up and down
- Microphone On/Off button with indicator
- Priority key

Interconnections

- Ø 3.5 mm stereo headphone jack
- 1.5 m cable with 6P-DIN plug
- 0.6 m cable with 6P-DIN socket

Technical Specifications

Electrical

Max. consumption.....0.8 W

Headphone connection

Frequency response.....40 Hz to 16 kHz

Earphone load impedance.....>16 Ohm

Earphone output.....10 mW

Microphone

Transducer.....Electret-condenser

Polar pattern.....Uni-directional

Operating voltage.....5 VDC

Sensitivity.....-46 dBV/Pa

Frequency response.....80 Hz to 18 kHz

Input impedance.....2 kOhm

Directivity 0°/180°.....> 20 dB (1 kHz)

Equivalent noise.....25 dBA (SPL)

Maximum sound pressure level.....125 dB (THD<3%)

Interface data

Connector.....Ø 3.5 mm stereo jack for headphone

Mechanical

Mounting..... Tabletop
 Dimensions (h x w x d) (w/o stem microphone)...73 x 101 x 133 mm
 Weight (incl. stem microphone)..... 0.6 kg
 Color..... Champagne (PANTONE 401 C) panel + gray (PANTONE 424 C) base / Champagne (PANTONE 401 C) panel + black (PANTONE 419 C) base
 Stem length.....410 mm

Ordering Information

HCS-3638CF_S.....Economical Conference System Chairman Unit
 (tabletop, champagne panel + gray base, fixed
 gooseneck)
 HCS-3638CF_B.....Economical Conference System Chairman Unit
 (tabletop, champagne panel + black base, fixed
 gooseneck)

HCS-3638D Discussion Unit



Features

- Stylish and ergonomic design
- Smaller, economical and practical, convenient for transportation
- Connection cable is routed from the bottom through the hole in the table for a tidy desktop
- Hi-Fi loudspeaker
- Pluggable microphone
- Excellent immunity to RF interference from mobile phones

The delegate unit meets the basic demands of the conferences. It provides facilities for speaking, registering a request-to-speak and listening. It has excellent immunity to RF interference from mobile phones. The loudspeaker offers superior acoustics with minimal feedback for enhanced intelligibility.

Functions

- Compliant to IEC 60914
- Excellent immunity to RF interference from mobile phones and comparable devices
- Mini-microphone, with foam windshield
- Stem microphone can be unplugged during adjournment, easy to maintain
- Hi-Fi loudspeaker, minimal feedback, mutes automatically when microphone is active
- Microphone On/Off button
- System when operated in stand-alone mode can implement the following facilities:
 - ◆ “ACTIVE MICS”, set the number of delegates permitted to speak at the same time
 - ◆ “OPEN” mode, microphone key with request-to-speak registration (AUTO)
 - ◆ “OVERRIDE” mode, microphone key control with override of the active microphones (FIFO)
 - ◆ “VOICE” mode, microphone activation on speaking

- ◆ “APPLY” mode, delegate applies to speak by pressing apply key, delegate can speak only when operator or chairman approved his application
- ◆ In “OPEN/OVERRIDE/APPLY” mode, chairman unit can be set up as “Dais mode”, it will keep active all the time
- Automatic video tracking, when cooperating with camera and video switcher unit
- Set any delegate unit to be VIP unit
 - ◆ Up to 32 units can be set as VIP in one system via application software
 - ◆ VIP unit can be activated as long as the total of active microphones is not beyond 6 (incl. chairman/delegate/VIP unit)

Controls and Indicators

- Uni-directional electret condenser microphone with illuminated ring
- Headphones volume up and down
- Microphone On/Off button with indicator

Interconnections

- Socket for pluggable stem microphone
- Ø 3.5 mm stereo headphone jack
- 1.5 m cable with 6P-DIN plug
- 0.6 m cable with 6P-DIN socket

Technical Specifications

Electrical

Max. consumption.....0.8 W

Headphone connection

Frequency response.....40 Hz to 16 kHz

Earphone load impedance.....>16 Ohm

Earphone output.....10 mW

Microphone

Transducer.....Electret-condenser

Polar pattern.....Uni-directional

Operating voltage.....5 VDC

Sensitivity.....-46 dBV/Pa

Frequency response.....80 Hz to 18 kHz

Input impedance.....2 kOhm

Directivity 0°/180°.....> 20 dB (1 kHz)

Equivalent noise.....25 dBA (SPL)

Maximum sound pressure level.....125 dB (THD<3%)

Interface data

Connector.....Ø 3.5 mm stereo jack for headphone

Mechanical

Mounting.....Tabletop

Dimensions (h x w x d) (w/o stem microphone)...73 x 101 x 133 mm

Weight (incl. stem microphone).....0.6 kg

Color.....Champagne (PANTONE 401 C) panel + gray (PANTONE 424 C) base / Champagne (PANTONE 401 C) panel + black (PANTONE 419 C) base

Stem length.....410 mm (standard version),
240 mm, 330 mm, 470 mm

Ordering Information

HCS-3638D_S.....Economical Conference System Delegate Unit
(tabletop, champagne panel + gray base)

HCS-3638D_B.....Economical Conference System Delegate Unit
(tabletop, champagne panel + black base)

HCS-3638DF Discussion Unit



Features

- Stylish and ergonomic design
- Smaller, economical and practical, convenient for transportation
- Connection cable is routed from the bottom through the hole in the table for a tidy desktop
- Hi-Fi loudspeaker
- Fixed stem microphone
- Excellent immunity to RF interference from mobile phones

The delegate unit meets the basic demands of the conferences. It provides facilities for speaking, registering a request-to-speak and listening. It has excellent immunity to RF interference from mobile phones. The loudspeaker offers superior acoustics with minimal feedback for enhanced intelligibility.

Functions

- Compliant to IEC 60914
- Excellent immunity to RF interference from mobile phones and comparable devices
- Mini-microphone, with foam windshield
- Fixed stem microphone
- Hi-Fi loudspeaker, minimal feedback, mutes automatically when microphone is active
- Microphone On/Off button
- System when operated in stand-alone mode can implement the following facilities:
 - ◆ “ACTIVE MICS”, set the number of delegates permitted to speak at the same time
 - ◆ “OPEN” mode, microphone key with request-to-speak registration (AUTO)
 - ◆ “OVERRIDE” mode, microphone key control with override of the active microphones (FIFO)
 - ◆ “VOICE” mode, microphone activation on speaking

- ◆ “APPLY” mode, delegate applies to speak by pressing apply key, delegate can speak only when operator or chairman approved his application
- ◆ In “OPEN/OVERRIDE/APPLY” mode, chairman unit can be set up as “Dais mode”, it will keep active all the time
- Automatic video tracking, when cooperating with camera and video switcher unit
- Set any delegate unit to be VIP unit
 - ◆ Up to 32 units can be set as VIP in one system via application software
 - ◆ VIP unit can be activated as long as the total of active microphones is not beyond 6 (incl. chairman/delegate/VIP unit)

Controls and Indicators

- Uni-directional electret condenser microphone with illuminated ring
- Headphones volume up and down
- Microphone On/Off button with indicator

Interconnections

- Ø 3.5 mm stereo headphone jack
- 1.5 m cable with 6P-DIN plug
- 0.6 m cable with 6P-DIN socket

Technical Specifications

Electrical

Max. consumption.....0.8 W

Headphone connection

Frequency response.....40 Hz to 16 kHz
 Earphone load impedance.....>16 Ohm
 Earphone output.....10 mW

Microphone

Transducer.....Electret-condenser
 Polar pattern.....Uni-directional
 Operating voltage.....5 VDC
 Sensitivity.....-46 dBV/Pa
 Frequency response.....80 Hz to 18 kHz
 Input impedance.....2 kOhm
 Directivity 0°/180°.....> 20 dB (1 kHz)
 Equivalent noise.....25 dBA (SPL)
 Maximum sound pressure level.....125 dB (THD<3%)

Interface data

Connector.....Ø 3.5 mm stereo jack for headphone

Mechanical

Mounting.....Tabletop
 Dimensions (h x w x d) (w/o stem microphone)...73 x 101 x 133 mm
 Weight (incl. stem microphone).....0.6 kg
 Color.....Champagne (PANTONE 401 C) panel + gray (PANTONE 424 C) base / Champagne (PANTONE 401 C) panel + black (PANTONE 419 C) base
 Stem length.....410 mm

Ordering Information

HCS-3638DF_S.....Economical Conference System Delegate Unit
(tabletop, champagne panel + gray base, fixed
gooseneck)

HCS-3638DF_B.....Economical Conference System Delegate Unit
(tabletop, champagne panel + black base,
fixed gooseneck)

HCS-3670C Chairman Unit with Voting



Features

- Stylish and ergonomic fold-away design
- Hi-Fi flat-panel loudspeaker
- Priority key
- Pluggable stem microphone
- 5 voting keys
- Excellent immunity to RF interference from mobile phones

The stylish and ergonomically designed chairman unit has all the necessary facilities to enable the user to chair a conference. It has excellent immunity to RF interference from mobile phones. Similar in appearance to HCS-3670D Delegate Unit, the HCS-3670C Chairman Unit includes a microphone priority button. When pressed, the priority button causes all currently active delegate microphones to be switched off temporarily or permanently, allowing the chairman to take control of the meeting. The chairman unit can also be used to start or stop voting, cancel a request-to-speak and turn off all active microphones. A graphic LCD screen with permanent backlighting can display characters from complex European languages or icon-based scripts such as Chinese. The flat-panel loudspeaker offers superior acoustics with minimal feedback for enhanced intelligibility.

Functions

- Compliant to IEC 60914
- Excellent immunity to RF interference from mobile phones and comparable devices
- Mini-microphone, with foam windshield
- Stem microphone can be unplugged during adjournment, easy to maintain
- Hi-Fi flat-panel loudspeaker, minimal feedback, mutes automatically when microphone is active
- Microphone On/Off button, 5 voting keys

- System when operated in stand-alone mode can implement the following facilities:
 - ◆ "ACTIVE MICS", set the number of delegates permitted to speak at the same time
 - ◆ "OPEN" mode, microphone key with request-to-speak registration (AUTO)
 - ◆ "OVERRIDE" mode, microphone key control with override of the active microphones (FIFO)
 - ◆ "VOICE" mode, microphone activation on speaking
 - ◆ "APPLY" mode, delegate applies to speak by pressing apply key, delegate can speak only when operator or chairman approved his application
 - ◆ In "OPEN/OVERRIDE/APPLY" mode, chairman unit can be set up as "Dais mode", it will keep active all the time
 - ◆ Parliamentary voting (YES/NO/ABSTAIN)
- In combination with the corresponding software modules, multiform voting can be implemented:
 - ◆ Parliamentary: YES/NO/ABSTAIN
 - ◆ Questionnaire: 1/2/3/4/5
 - ◆ Audience response: --/0/+/++
- Built-in IC-Card reader
- Key-press sign-in
- Automatic video tracking, when cooperating with camera and video switcher unit
- Can be activated at any time
- Priority key can switch off or mute the speaking units according to preset
- Approves/denies all delegates' speaking requests
- Launches parliamentary voting (YES/NO/ABSTAIN) session without PC
- Controls voting start and stop
- Controls on-off switch for displaying voting results on delegate unit's LCD
- System supports up to 100 chairman units, while only one chairman unit has the control facilities listed above (set by software)

Controls and Indicators

- Graphic 256x32 LCD with back-lighting for displaying:
 - ◆ Active microphone amount, request amount, delegates signed-in and voting results, etc.
 - ◆ Multilingual (simplified/traditional Chinese, English, etc.) menu
- Uni-directional electret condenser microphone with illuminated ring
- Headphone volume up and down
- Five voting buttons with indicators
- Microphone On/Off button with indicator
- Priority key

Interconnections

- Socket for pluggable stem microphone
- Ø 3.5 mm stereo headphone jack
- Ø 3.5 mm socket for external microphone or headset microphone
- 1.5 m cable with 6P-DIN plug
- 0.6 m cable with 6P-DIN socket

Technical Specifications

Electrical

Max. consumption.....1.65 W

Headphone connection

Frequency response.....40 Hz to 16 kHz

Earphone load impedance.....>16 Ohm

Earphone output.....10 mW

Microphone

Transducer.....Electret-condenser

Polar pattern.....Uni-directional

Operating voltage.....5 VDC

Sensitivity.....-46 dBV/Pa

Frequency response.....80 Hz to 18 kHz

Input impedance.....2 kOhm

Directivity 0°/180°.....> 20 dB (1 kHz)

Equivalent noise.....25 dBA (SPL)

Maximum sound pressure level.....125 dB (THD<3%)

Interface data

Connector.....Ø 3.5 mm socket for external microphone

.....Ø 3.5 mm stereo jack for headphone

Mechanical

Mounting, Tabletop (portable or fixed mounting) and flush-mounting

Dimensions (h x w x d) (w/o stem microphone)

Tabletop.....55 x 245 x 137 mm

Flush-mounting.....35 x 245 x 137 mm

Weight (incl. stem microphone).....1.7 kg

Color.....Charcoal gray (PANTONE Cool Gray 11 C)

Stem length.....410 mm (standard version),

240 mm, 330 mm, 470 mm

Ordering Information

HCS-3670C.....Economical Conference System Chairman Unit
(tabletop/flush-mounting, 5 voting keys,
256×32 LCD, IC-Card, charcoal gray)

HCS-3670D Discussion Unit with Voting



Features

- Stylish and ergonomic fold-away design
- Hi-Fi flat-panel loudspeaker
- Pluggable stem microphone
- 5 voting keys
- Excellent immunity to RF interference from mobile phones

The multi-functional delegate unit meets the demands of multifunctional conferences. It provides facilities for speaking, registering a request-to-speak, listening, voting, IC-Card reading and displaying conference and user-related information. It has excellent immunity to RF interference from mobile phones. It features an IC-Card reader and a graphic display with backlighting. When the IC-Card is inserted into the card reader, the graphic LCD screen automatically displays user-related information in the language assigned to the delegate chip card. The graphic LCD screen has permanent backlighting, and can display characters from complex European languages or icon-based-scripts such as Chinese. The flat-panel loudspeaker offers superior acoustics with minimal feedback for enhanced intelligibility.

Functions

- Compliant to IEC 60914
- Excellent immunity to RF interference from mobile phones and comparable devices
- Mini-microphone, with foam windshield
- Stem microphone can be unplugged during adjournment, easy to maintain
- Hi-Fi flat-panel loudspeaker, minimal feedback, mutes automatically when microphone is active
- Microphone On/Off button, 5 voting keys

- System when operated in stand-alone mode can implement the following facilities:
 - ◆ “ACTIVE MICS”, set the number of delegates permitted to speak at the same time
 - ◆ “OPEN” mode, microphone key with request-to-speak registration (AUTO)
 - ◆ “OVERRIDE” mode, microphone key control with override of the active microphones (FIFO)
 - ◆ “VOICE” mode, microphone activation on speaking
 - ◆ “APPLY” mode, delegate applies to speak by pressing apply key, delegate can speak only when operator or chairman approved his application
 - ◆ In “OPEN/OVERRIDE/APPLY” mode, chairman unit can be set up as “Dais mode”, it will keep active all the time
 - ◆ Parliamentary voting (YES/NO/ABSTAIN)
- In combination with the corresponding software modules, multifunctional voting can be implemented:
 - ◆ Parliamentary: YES/NO/ABSTAIN
 - ◆ Questionnaire: 1/2/3/4/5
 - ◆ Audience response: --/0/+/++
- Built-in IC-Card reader
- Key-press sign-in
- Automatic video tracking, when cooperating with camera and video switcher unit
- Set any delegate unit to be VIP unit
 - ◆ Up to 32 units can be set as VIP in one system via application software
 - ◆ VIP unit can be activated as long as the total of active microphones is not beyond 6 (incl. chairman/delegate/VIP unit)

Controls and Indicators

- Graphic 256x32 LCD with back-lighting for displaying:
 - ◆ Active microphone amount, request amount, delegates signed-in and voting results, etc.
 - ◆ Multilingual (simplified/traditional Chinese, English, etc.) menu
- Uni-directional electret condenser microphone with illuminated ring
- Headphone volume up and down
- Five voting buttons with indicators
- Microphone On/Off button with indicator

Interconnections

- Socket for pluggable stem microphone
- Ø 3.5 mm stereo headphone jack
- Ø 3.5 mm socket for external microphone or headset microphone
- 1.5 m cable with 6P-DIN plug
- 0.6 m cable with 6P-DIN socket

Technical Specifications

Electrical

Max. consumption.....1.65 W

Headphone connection

Frequency response.....40 Hz to 16 kHz

Earphone load impedance.....>16 Ohm

Earphone output.....10 mW

Microphone

Transducer.....Electret-condenser

Polar pattern.....Uni-directional

Operating voltage.....5 VDC

Sensitivity.....-46 dBV/Pa

Frequency response.....80 Hz to 18 kHz

Input impedance.....2 kOhm

Directivity 0°/180°.....> 20 dB (1 kHz)

Equivalent noise.....25 dBA (SPL)

Maximum sound pressure level.....125 dB (THD<3%)

Interface data

Connector.....Ø 3.5 mm socket for external microphone

.....Ø 3.5 mm stereo jack for headphone

Mechanical

Mounting, Tabletop (portable or fixed mounting) and flush-mounting

Dimensions (h x w x d) (w/o stem microphone)

Tabletop.....55 x 245 x 137 mm

Flush-mounting.....35 x 245 x 137 mm

Weight (incl. stem microphone).....1.7 kg

Color.....Charcoal gray (PANTONE Cool Gray 11 C)

Stem length.....410 mm (standard version),

240 mm, 330 mm, 470 mm

Ordering Information

HCS-3670D.....Economical Conference System Delegate Unit
(tabletop/flush-mounting, 5 voting keys,
256×32 LCD, IC-Card, charcoal gray)

HCS-3671DE Discussion Unit with Voting



Features

- Stylish and ergonomic fold-away design
- Hi-Fi flat-panel loudspeaker
- Pluggable stem microphone
- 5 voting keys
- Excellent immunity to RF interference from mobile phones

The multi-functional delegate unit meets the demands of multiform conferences. It provides facilities for speaking, registering a request-to-speak, listening and voting. It has excellent immunity to RF interference from mobile phones. The flat-panel loudspeaker offers superior acoustics with minimal feedback for enhanced intelligibility.

Functions

- Compliant to IEC 60914
- Excellent immunity to RF interference from mobile phones and comparable devices
- Mini-microphone, with foam windshield
- Stem microphone can be unplugged during adjournment, easy to maintain
- Hi-Fi flat-panel loudspeaker, minimal feedback, mutes automatically when microphone is active
- Microphone On/Off button, 5 voting keys
- System when operated in stand-alone mode can implement the following facilities:
 - ◆ “ACTIVE MICS”, set the number of delegates permitted to speak at the same time
 - ◆ “OPEN” mode, microphone key with request-to-speak registration (AUTO)
 - ◆ “OVERRIDE” mode, microphone key control with override of the active microphones (FIFO)
 - ◆ “VOICE” mode, microphone activation on speaking
 - ◆ “APPLY” mode, delegate applies to speak by pressing apply key, delegate can speak only when operator or chairman approved his application

- ◆ In “OPEN/OVERRIDE/APPLY” mode, chairman unit can be set up as “Dais mode”, it will keep active all the time
- ◆ Parliamentary voting (YES/NO/ABSTAIN)
- In combination with the corresponding software modules, multiform voting can be implemented:
 - ◆ Parliamentary: YES/NO/ABSTAIN
 - ◆ Questionnaire: 1/2/3/4/5
 - ◆ Audience response: --/-/0/+/>
- Key-press sign-in
- Automatic video tracking, when cooperating with camera and video switcher unit
- Set any delegate unit to be VIP unit
 - ◆ Up to 32 units can be set as VIP in one system via application software
 - ◆ VIP unit can be activated as long as the total of active microphones is not beyond 6 (incl. chairman/delegate/VIP unit)

Controls and Indicators

- Uni-directional electret condenser microphone with illuminated ring
- Headphone volume up and down
- Five voting buttons with indicators
- Microphone On/Off button with indicator

Interconnections

- Socket for pluggable stem microphone
- Ø 3.5 mm stereo headphone jack
- Ø 3.5 mm socket for external microphone or headset microphone
- 1.5 m cable with 6P-DIN plug
- 0.6 m cable with 6P-DIN socket

Technical Specifications

Electrical

Max. consumption.....1.0 W

Headphone connection

Frequency response.....40 Hz to 16 kHz

Earphone load impedance.....>16 Ohm

Earphone output.....10 mW

Microphone

Transducer.....Electret-condenser

Polar pattern.....Uni-directional

Operating voltage.....5 VDC

Sensitivity.....-46 dBV/Pa

Frequency response.....80 Hz to 18 kHz

Input impedance.....2 kOhm

Directivity 0°/180°.....> 20 dB (1 kHz)

Equivalent noise.....25 dBA (SPL)

Maximum sound pressure level.....125 dB (THD<3%)

Interface data

Connector.....Ø 3.5 mm socket for external microphone

.....Ø 3.5 mm stereo jack for headphone

Mechanical

Mounting, Tabletop (portable or fixed mounting) and flush-mounting

Dimensions (h x w x d) (w/o stem microphone)

Tabletop.....55 x 245 x 137 mm

Flush-mounting.....35 x 245 x 137 mm

Weight (incl. stem microphone).....1.7 kg

Color.....Charcoal gray (PANTONE Cool Gray 11 C)

Stem length.....410 mm (standard version),
240 mm, 330 mm, 470 mm

Ordering Information

HCS-3671DE.....Economical Conference System Delegate Unit
(tabletop/flush-mounting, 5 voting keys,
charcoal gray)

HCS-3655C Chairman Unit



Features

- Stylish and ergonomic fold-away design
- Hi-Fi flat-panel loudspeaker
- Priority key
- Pluggable stem microphone
- Excellent immunity to RF interference from mobile phones

The stylish and ergonomically designed chairman unit has the necessary facilities to enable the user to chair a conference. It has excellent immunity to RF interference from mobile phones. Similar in appearance to HCS-3655D Delegate Unit, the HCS-3655C Chairman Unit includes a microphone priority button. When pressed, the priority button causes all currently active delegate microphones to be switched off temporarily or permanently, allowing the chairman to take control of the meeting. The flat-panel loudspeaker offers superior acoustics with minimal feedback for enhanced intelligibility.

Functions

- Compliant to IEC 60914
- Excellent immunity to RF interference from mobile phones and comparable devices
- Mini-microphone, with foam windshield
- Stem microphone can be unplugged during adjournment, easy to maintain
- Hi-Fi flat-panel loudspeaker, minimal feedback, mutes automatically when microphone is active
- Microphone On/Off button
- System when operated in stand-alone mode can implement the following facilities:
 - ◆ “ACTIVE MICS”, set the number of delegates permitted to speak at the same time
 - ◆ “OPEN” mode, microphone key with request-to-speak registration (AUTO)
 - ◆ “OVERRIDE” mode, microphone key control with override of the active microphones (FIFO)
 - ◆ “VOICE” mode, microphone activation on speaking

- ◆ “APPLY” mode, delegate applies to speak by pressing apply key, delegate can speak only when operator or chairman approved his application
- ◆ In “OPEN/OVERRIDE/APPLY” mode, chairman unit can be set up as “Dais mode”, it will keep active all the time
- Automatic video tracking, when cooperating with camera and video switcher unit
- Can be activated at any time
- Priority key can switch off or mute the speaking units according to preset
- Approves/denies all delegates' speaking requests
- System supports up to 100 chairman units, while only one chairman unit has the control facilities listed above (set by software)

Controls and Indicators

- Uni-directional electret condenser microphone with illuminated ring
- Headphone volume up and down
- Microphone On/Off button with indicator
- Priority key

Interconnections

- Socket for pluggable stem microphone
- Ø 3.5 mm stereo headphone jack
- Ø 3.5 mm socket for external microphone or headset microphone
- 1.5 m cable with 6P-DIN plug
- 0.6 m cable with 6P-DIN socket

Technical Specifications

Electrical

Max. consumption.....1.0 W

Headphone connection

Frequency response.....40 Hz to 16 kHz

Earphone load impedance.....>16 Ohm

Earphone output.....10 mW

Microphone

Transducer.....Electret-condenser

Polar pattern.....Uni-directional

Operating voltage.....5 VDC

Sensitivity.....-46 dBV/Pa

Frequency response.....80 Hz to 18 kHz

Input impedance.....2 kOhm

Directivity 0°/180°.....> 20 dB (1 kHz)

Equivalent noise.....25 dBA (SPL)

Maximum sound pressure level.....125 dB (THD<3%)

Interface data

Connector.....Ø 3.5 mm socket for external microphone

.....Ø 3.5 mm stereo jack for headphone

Mechanical

Mounting, Tabletop (portable or fixed mounting) and flush-mounting

Dimensions (h x w x d) (w/o stem microphone)

Tabletop.....55 x 245 x 137 mm

Flush-mounting.....35 x 245 x 137 mm

Weight (incl. stem microphone).....1.7 kg

Color.....Charcoal gray (PANTONE Cool Gray 11 C)

Stem length.....410 mm (standard version),
240 mm, 330 mm, 470 mm

Ordering Information

HCS-3655C.....Economical Conference System Chairman Unit
(tabletop/flush-mounting, charcoal gray)

HCS-3655D Discussion Unit



Features

- Stylish and ergonomic fold-away design
- Hi-Fi flat-panel loudspeaker
- Pluggable stem microphone
- Excellent immunity to RF interference from mobile phones

The delegate unit meets the basic demands of the conferences. It provides facilities for speaking, registering a request-to-speak and listening. It has excellent immunity to RF interference from mobile phones. The flat-panel loudspeaker offers superior acoustics with minimal feedback for enhanced intelligibility.

Functions

- Compliant to IEC 60914
- Excellent immunity to RF interference from mobile phones and comparable devices
- Mini-microphone, with foam windshield
- Stem microphone can be unplugged during adjournment, easy to maintain
- Hi-Fi flat-panel loudspeaker, minimal feedback, mutes automatically when microphone is active
- Microphone On/Off button
- System when operated in stand-alone mode can implement the following facilities:
 - ◆ “ACTIVE MICS”, set the number of delegates permitted to speak at the same time
 - ◆ “OPEN” mode, microphone key with request-to-speak registration (AUTO)
 - ◆ “OVERRIDE” mode, microphone key control with override of the active microphones (FIFO)
 - ◆ “VOICE” mode, microphone activation on speaking
 - ◆ “APPLY” mode, delegate applies to speak by pressing apply key, delegate can speak only when operator or chairman approved his application
 - ◆ In “OPEN/OVERRIDE/APPLY” mode, chairman unit can be set up as “Dais mode”, it will keep active all the time

- Automatic video tracking, when cooperating with camera and video switcher unit
- Set any delegate unit to be VIP unit
 - ◆ Up to 32 units can be set as VIP in one system via application software
 - ◆ VIP unit can be activated as long as the total of active microphones is not beyond 6 (incl. chairman/delegate/VIP unit)

Controls and Indicators

- Uni-directional electret condenser microphone with illuminated ring
- Headphone volume up and down
- Microphone On/Off button with indicator

Interconnections

- Socket for pluggable stem microphone
- Ø 3.5 mm stereo headphone jack
- Ø 3.5 mm socket for external microphone or headset microphone
- 1.5 m cable with 6P-DIN plug
- 0.6 m cable with 6P-DIN socket

Technical Specifications

Electrical

Max. consumption.....1.0 W

Headphone connection

Frequency response.....40 Hz to 16 kHz

Earphone load impedance.....>16 Ohm

Earphone output.....10 mW

Microphone

Transducer.....Electret-condenser

Polar pattern.....Uni-directional

Operating voltage.....5 VDC

Sensitivity.....-46 dBV/Pa

Frequency response.....80 Hz to 18 kHz

Input impedance.....2 kOhm

Directivity 0°/180°.....> 20 dB (1 kHz)

Equivalent noise.....25 dBA (SPL)

Maximum sound pressure level.....125 dB (THD<3%)

Interface data

Connector.....Ø 3.5 mm socket for external microphone

.....Ø 3.5 mm stereo jack for headphone

Mechanical

Mounting, Tabletop (portable or fixed mounting) and flush-mounting

Dimensions (h x w x d) (w/o stem microphone)

Tabletop.....55 x 245 x 137 mm

Flush-mounting.....35 x 245 x 137 mm

Weight (incl. stem microphone).....1.7 kg

Color.....Charcoal gray (PANTONE Cool Gray 11 C)

Stem length.....410 mm (standard version),

240 mm, 330 mm, 470 mm

Ordering Information

HCS-3655D.....Economical Conference System Delegate Unit
(tabletop/flush-mounting, charcoal gray)

HCS-3660CBE Chairman Unit with Voting



Features

- Flush-mounting, stylish and ergonomic design
- Modular Hi-Fi loudspeaker
- Priority key
- Pluggable stem microphone
- 5 voting keys
- Excellent immunity to RF interference from mobile phones
- Equipped with cover to protect the unit from damage during the adjournment

The stylish and ergonomically designed chairman unit has all the necessary facilities to enable the user to chair a conference. It has excellent immunity to RF interference from mobile phones. Similar in appearance to HCS-3660DBE Delegate Unit, the HCS-3660CBE Chairman Unit includes a microphone priority button. When pressed, the priority button causes all currently active delegate microphones to be switched off temporarily or permanently, allowing the chairman to take control of the meeting. The chairman unit can also be used to start or stop voting, turn off all active microphones. The loudspeaker offers superior acoustics with minimal feedback for enhanced intelligibility.

Functions

- Compliant to IEC 60914
- Excellent immunity to RF interference from mobile phones and comparable devices
- Mini-microphone, with foam windshield
- Stem microphone can be unplugged during adjournment, easy to maintain
- Modular Hi-Fi loudspeaker, minimal feedback, mutes automatically when microphone is active
- Microphone On/Off button, 5 voting keys

- System when operated in stand-alone mode can implement the following facilities:
 - ◆ “ACTIVE MICS”, set the number of delegates permitted to speak at the same time
 - ◆ “OPEN” mode, microphone key with request-to-speak registration (AUTO)
 - ◆ “OVERRIDE” mode, microphone key control with override of the active microphones (FIFO)
 - ◆ “VOICE” mode, microphone activation on speaking
 - ◆ “APPLY” mode, delegate applies to speak by pressing apply key, delegate can speak only when operator or chairman approved his application
 - ◆ In “OPEN/OVERRIDE/APPLY” mode, chairman unit can be set up as “Dais mode”, it will keep active all the time
 - ◆ Parliamentary voting (YES/NO/ABSTAIN)
- In combination with the corresponding software modules, multiform voting can be implemented:
 - ◆ Parliamentary: YES/NO/ABSTAIN
 - ◆ Questionnaire: 1/2/3/4/5
 - ◆ Audience response: --/-/0/+/>++
- Built-in IC-Card reader
- Key-press sign-in
- Automatic video tracking, when cooperating with camera and video switcher unit
- Can be activated at any time
- Priority key can switch off or mute the speaking units according to preset
- Approves/denies all delegates' speaking requests
- Controls voting start and stop
- System supports up to 100 chairman units, while only one chairman unit has the control facilities listed above (set by software)

Controls and Indicators

- Uni-directional electret condenser microphone with illuminated ring
- Headphone volume up and down
- Five voting buttons with indicators
- Microphone On/Off button with indicator
- Priority key

Interconnections

- Socket for pluggable stem microphone
- Ø 3.5 mm stereo headphone jack
- 1.5 m cable with 6P-DIN plug
- 0.6 m cable with 6P-DIN socket

Technical Specifications

Electrical

Max. consumption..... 1.0 W

Headphone connection

Frequency response..... 40 Hz to 16 kHz

Earphone load impedance..... >16 Ohm

Earphone output..... 10 mW

Microphone

Transducer..... Electret-condenser

Polar pattern..... Uni-directional

Operating voltage..... 5 VDC

Sensitivity..... -46 dBV/Pa

Frequency response..... 80 Hz to 18 kHz

Input impedance..... 2 kOhm

Directivity 0°/180°..... > 20 dB (1 kHz)

Equivalent noise..... 25 dBA (SPL)

Maximum sound pressure level..... 125 dB (THD<3%)

Interface data

Connector..... Ø 3.5 mm stereo jack for headphone

Mechanical

Mounting..... Flush-mounting

Dimensions (h x w x d) (w/o Mic)..... 57 x 220 x 100 mm

Weight (incl. stem microphone)..... 0.7 kg

Color..... Charcoal gray (PANTONE Cool Gray 11 C)

Stem length..... 410 mm (standard version),
240 mm, 330 mm, 470 mm

Ordering Information

HCS-3660CBE..... Economical Conference System Chairman Unit
(flush-mounting, 5 voting keys, IC-Card, cover,
charcoal gray)

HCS-3660DBE Discussion Unit with Voting



Features

- Flush-mounting, stylish and ergonomic design
- Modular Hi-Fi loudspeaker
- Pluggable stem microphone
- 5 voting keys
- Excellent immunity to RF interference from mobile phones
- Equipped with cover to protect the unit from damage during the adjournment

The multi-functional delegate unit meets the demands of multiform conferences. It provides facilities for speaking, registering a request-to-speak, registering a request-to-respond, listening, voting and IC-Card reading. It has excellent immunity to RF interference from mobile phones. The loudspeaker offers superior acoustics with minimal feedback for enhanced intelligibility.

Functions

- Compliant to IEC 60914
- Excellent immunity to RF interference from mobile phones and comparable devices
- Mini-microphone, with foam windshield
- Stem microphone can be unplugged during adjournment, easy to maintain
- Modular Hi-Fi loudspeaker, minimal feedback, mutes automatically when microphone is active
- Microphone On/Off button, 5 voting keys
- System when operated in stand-alone mode can implement the following facilities:
 - ◆ “ACTIVE MICS”, set the number of delegates permitted to speak at the same time
 - ◆ “OPEN” mode, microphone key with request-to-speak registration (AUTO)
 - ◆ “OVERRIDE” mode, microphone key control with override of the active microphones (FIFO)
 - ◆ “VOICE” mode, microphone activation on speaking

- ◆ “APPLY” mode, delegate applies to speak by pressing apply key, delegate can speak only when operator or chairman approved his application
- ◆ In “OPEN/OVERRIDE/APPLY” mode, chairman unit can be set up as “Dais mode”, it will keep active all the time
- ◆ Parliamentary voting (YES/NO/ABSTAIN)
- In combination with the corresponding software modules, multiform voting can be implemented:
 - ◆ Parliamentary: YES/NO/ABSTAIN
 - ◆ Questionnaire: 1/2/3/4/5
 - ◆ Audience response: --/-/0/+/>
- Built-in IC-Card reader
- Key-press sign-in
- Automatic video tracking, when cooperating with camera and video switcher unit
- Set any delegate unit to be VIP unit
 - ◆ Up to 32 units can be set as VIP in one system via application software
 - ◆ VIP unit can be activated as long as the total of active microphones is not beyond 6 (incl. chairman/delegate/VIP unit)

Controls and Indicators

- Uni-directional electret condenser microphone with illuminated ring
- Headphone volume up and down
- Five voting buttons with indicators
- Microphone On/Off button with indicator

Interconnections

- Socket for pluggable stem microphone
- Ø 3.5 mm stereo headphone jack
- 1.5 m cable with 6P-DIN plug
- 0.6 m cable with 6P-DIN socket

Technical Specifications

Electrical

Max. consumption.....1.0 W

Headphone connection

Frequency response.....40 Hz to 16 kHz

Earphone load impedance.....>16 Ohm

Earphone output.....10 mW

Microphone

Transducer.....Electret-condenser

Polar pattern.....Uni-directional

Operating voltage.....5 VDC

Sensitivity.....-46 dBV/Pa

Frequency response.....80 Hz to 18 kHz

Input impedance.....2 kOhm

Directivity 0°/180°.....> 20 dB (1 kHz)

Equivalent noise.....25 dBA (SPL)

Maximum sound pressure level.....125 dB (THD<3%)

Interface data

Connector.....Ø 3.5 mm stereo jack for headphone

Mechanical

Mounting..... Flush-mounting
Dimensions (h x w x d) (w/o Mic)..... 57 x 220 x 100 mm
Weight (incl. stem microphone)..... 0.7 kg
Color..... Charcoal gray (PANTONE Cool Gray 11 C)
Stem length..... 410 mm (standard version),
240 mm, 330 mm, 470 mm

Ordering Information

HCS-3660DBE..... Economical Conference System Delegate Unit
(flush-mounting, 5 voting keys, IC-Card, cover,
charcoal gray)

HCS-3662DB Discussion Unit



Features

- Flush-mounting, stylish and ergonomic design
- Modular Hi-Fi loudspeaker
- Pluggable stem microphone
- Excellent immunity to RF interference from mobile phones
- Equipped with cover to protect the unit from damage during the adjournment

The delegate unit meets the basic demands of the conferences. It provides facilities for speaking, registering a request-to-speak, registering a request-to-respond and listening. It has excellent immunity to RF interference from mobile phones. The loudspeaker offers superior acoustics with minimal feedback for enhanced intelligibility.

Functions

- Compliant to IEC 60914
- Excellent immunity to RF interference from mobile phones and comparable devices
- Mini-microphone, with foam windshield
- Stem microphone can be unplugged during adjournment, easy to maintain
- Modular Hi-Fi loudspeaker, minimal feedback, mutes automatically when microphone is active
- Microphone On/Off button
- System when operated in stand-alone mode can implement the following facilities:
 - ◆ “ACTIVE MICS”, set the number of delegates permitted to speak at the same time
 - ◆ “OPEN” mode, microphone key with request-to-speak registration (AUTO)
 - ◆ “OVERRIDE” mode, microphone key control with override of the active microphones (FIFO)
 - ◆ “VOICE” mode, microphone activation on speaking
 - ◆ “APPLY” mode, delegate applies to speak by pressing apply key, delegate can speak only when operator or chairman approved his application

- ◆ In “OPEN/OVERRIDE/APPLY” mode, chairman unit can be set up as “Dais mode”, it will keep active all the time
- Automatic video tracking, when cooperating with camera and video switcher unit
- Set any delegate unit to be VIP unit
 - ◆ Up to 32 units can be set as VIP in one system via application software
 - ◆ VIP unit can be activated as long as the total of active microphones is not beyond 6 (incl. chairman/delegate/VIP unit)

Controls and Indicators

- Uni-directional electret condenser microphone with illuminated ring
- Headphone volume up and down
- Microphone On/Off button with indicator

Interconnections

- Socket for pluggable stem microphone
- Ø 3.5 mm stereo headphone jack
- 1.5 m cable with 6P-DIN plug
- 0.6 m cable with 6P-DIN socket

Technical Specifications

Electrical

Max. consumption.....1.0 W

Headphone connection

Frequency response.....40 Hz to 16 kHz

Earphone load impedance.....>16 Ohm

Earphone output.....10 mW

Microphone

Transducer.....Electret-condenser

Polar pattern.....Uni-directional

Operating voltage.....5 VDC

Sensitivity.....-46 dBV/Pa

Frequency response.....80 Hz to 18 kHz

Input impedance.....2 kOhm

Directivity 0°/180°.....> 20 dB (1 kHz)

Equivalent noise.....25 dBA (SPL)

Maximum sound pressure level.....125 dB (THD<3%)

Interface data

Connector.....Ø 3.5 mm stereo jack for headphone

Mechanical

Mounting.....Flush-mounting

Dimensions (h x w x d) (w/o Mic).....57 x 220 x 100 mm

Weight (incl. stem microphone).....0.7 kg

Color.....Charcoal gray (PANTONE Cool Gray 11 C)

Stem length.....410 mm (standard version),
240 mm, 330 mm, 470 mm

Ordering Information

HCS-3662DB.....Economical Conference System Delegate Unit
(flush-mounting, cover, charcoal gray)

HCS-3630CAE Chairman Unit with Voting



Features

- Stylish and ergonomic design
- Hi-Fi loudspeaker
- Priority key
- Pluggable stem microphone
- 5 voting keys
- Excellent immunity to RF interference from mobile phones

The stylish and ergonomically designed chairman unit has all the necessary facilities to enable the user to chair a conference. It has excellent immunity to RF interference from mobile phones. Similar in appearance to HCS-3630DE Delegate Unit, the HCS-3630CAE Chairman Unit includes a microphone priority button. When pressed, the priority button causes all currently active delegate microphones to be switched off temporarily or permanently, allowing the chairman to take control of the meeting. The chairman unit can also be used to start or stop voting and turn off all active microphones. The loudspeaker offers superior acoustics with minimal feedback for enhanced intelligibility.

Functions

- Compliant to IEC 60914
- Excellent immunity to RF interference from mobile phones and comparable devices
- Mini-microphone, with foam windshield
- Stem microphone can be unplugged during adjournment, easy to maintain
- Hi-Fi loudspeaker, minimal feedback, mutes automatically when microphone is active
- Microphone On/Off button, 5 voting keys

- System when operated in stand-alone mode can implement the following facilities:
 - ◆ “ACTIVE MICS”, set the number of delegates permitted to speak at the same time
 - ◆ “OPEN” mode, microphone key with request-to-speak registration (AUTO)
 - ◆ “OVERRIDE” mode, microphone key control with override of the active microphones (FIFO)
 - ◆ “VOICE” mode, microphone activation on speaking
 - ◆ “APPLY” mode, delegate applies to speak by pressing apply key, delegate can speak only when operator or chairman approved his application
 - ◆ In “OPEN/OVERRIDE/APPLY” mode, chairman unit can be set up as “Dais mode”, it will keep active all the time
 - ◆ Parliamentary voting (YES/NO/ABSTAIN)
- In combination with the corresponding software modules, multiform voting can be implemented:
 - ◆ Parliamentary: YES/NO/ABSTAIN
 - ◆ Questionnaire: 1/2/3/4/5
 - ◆ Audience response: --/0/+/++
- Built-in IC-Card reader
- Key-press sign-in
- Automatic video tracking, when cooperating with camera and video switcher unit
- Can be activated at any time
- Priority key can switch off or mute the speaking units according to preset
- Approves/denies all delegates' speaking requests
- Controls voting start and stop
- System supports up to 100 chairman units, while only one chairman unit has the control facilities listed above (set by software)

Controls and Indicators

- Uni-directional electret condenser microphone with illuminated ring
- Headphone volume up and down
- Five voting buttons with indicators
- Microphone On/Off button with indicator
- Priority key

Interconnections

- Socket for pluggable stem microphone
- Ø 3.5 mm stereo headphone jack
- 2.1 m cable with 6P-DIN plug
- 6P-DIN socket

Technical Specifications

Electrical

Max. consumption..... 1.0 W

Headphone connection

Frequency response..... 40 Hz to 16 kHz

Earphone load impedance..... >16 Ohm

Earphone output..... 10 mW

Microphone

Transducer..... Electret-condenser

Polar pattern..... Uni-directional

Operating voltage..... 5 VDC

Sensitivity..... -46 dBV/Pa

Frequency response..... 80 Hz to 18 kHz

Input impedance..... 2 kOhm

Directivity 0°/180°..... > 20 dB (1 kHz)

Equivalent noise..... 25 dBA (SPL)

Maximum sound pressure level..... 125 dB (THD<3%)

Interface data

Connector..... Ø 3.5 mm stereo jack for headphone

Mechanical

Mounting..... Tabletop mounting

Dimensions (h x w x d) (w/o stem microphone)... 59 x 157 x 112 mm

Weight (incl. stem microphone)..... 0.7 kg

Color..... Silver (PANTONE 428 C)

/ Charcoal gray (PANTONE Cool Gray 11 C)

Stem length..... 410 mm (standard version),

240 mm, 330 mm, 470 mm

Ordering Information

HCS-3630CAE..... Economical Conference System Chairman Unit
(tabletop, 5 voting keys, IC-Card, charcoal gray)

HCS-3630CAE_S... Economical Conference System Chairman Unit
(tabletop, 5 voting keys, IC-Card, silver)

HCS-3630DAE Discussion Unit with Voting



Features

- Stylish and ergonomic design
- Hi-Fi loudspeaker
- Pluggable stem microphone
- 5 voting keys
- Excellent immunity to RF interference from mobile phones

The multi-functional delegate unit meets the demands of multiform conferences. It provides facilities for speaking, registering a request-to-speak, listening, voting and IC-Card reading. It has excellent immunity to RF interference from mobile phones. The loudspeaker offers superior acoustics with minimal feedback for enhanced intelligibility.

Functions

- Compliant to IEC 60914
- Excellent immunity to RF interference from mobile phones and comparable devices
- Mini-microphone, with foam windshield
- Stem microphone can be unplugged during adjournment, easy to maintain
- Hi-Fi loudspeaker, minimal feedback, mutes automatically when microphone is active
- Microphone On/Off button, 5 voting keys
- System when operated in stand-alone mode can implement the following facilities:
 - ◆ “ACTIVE MICS”, set the number of delegates permitted to speak at the same time
 - ◆ “OPEN” mode, microphone key with request-to-speak registration (AUTO)
 - ◆ “OVERRIDE” mode, microphone key control with override of the active microphones (FIFO)
 - ◆ “VOICE” mode, microphone activation on speaking
 - ◆ “APPLY” mode, delegate applies to speak by pressing apply key, delegate can speak only when operator or chairman approved his application

- ◆ In “OPEN/OVERRIDE/APPLY” mode, chairman unit can be set up as “Dais mode”, it will keep active all the time
- ◆ Parliamentary voting (YES/NO/ABSTAIN)
- In combination with the corresponding software modules, multiform voting can be implemented:
 - ◆ Parliamentary: YES/NO/ABSTAIN
 - ◆ Questionnaire: 1/2/3/4/5
 - ◆ Audience response: --/-/0/+/>
- Built-in IC-Card reader
- Key-press sign-in
- Automatic video tracking, when cooperating with camera and video switcher unit
- Set any delegate unit to be VIP unit
 - ◆ Up to 32 units can be set as VIP in one system via application software
 - ◆ VIP unit can be activated as long as the total of active microphones is not beyond 6 (incl. chairman/delegate/VIP unit)

Controls and Indicators

- Uni-directional electret condenser microphone with illuminated ring
- Headphone volume up and down
- Five voting buttons with indicators
- Microphone On/Off button with indicator

Interconnections

- Socket for pluggable stem microphone
- Ø 3.5 mm stereo headphone jack
- 2.1 m cable with 6P-DIN plug
- 6P-DIN socket

Technical Specifications

Electrical

Max. consumption.....1.0 W

Headphone connection

Frequency response.....40 Hz to 16 kHz

Earphone load impedance.....>16 Ohm

Earphone output.....10 mW

Microphone

Transducer.....Electret-condenser

Polar pattern.....Uni-directional

Operating voltage.....5 VDC

Sensitivity.....-46 dBV/Pa

Frequency response.....80 Hz to 18 kHz

Input impedance.....2 kOhm

Directivity 0°/180°.....> 20 dB (1 kHz)

Equivalent noise.....25 dBA (SPL)

Maximum sound pressure level.....125 dB (THD<3%)

Interface data

Connector.....Ø 3.5 mm stereo jack for headphone

Mechanical

Mounting.....Tabletop mounting
Dimensions (h x w x d) (w/o stem microphone)...59 x 157 x 112 mm
Weight (incl. stem microphone).....0.7 kg
Color.....Silver (PANTONE 428 C)
/ Charcoal gray (PANTONE Cool Gray 11 C)
Stem length.....410 mm (standard version),
240 mm, 330 mm, 470 mm

Ordering Information

HCS-3630DAE.....Economical Conference System Delegate Unit
(tabletop, 5 voting keys, IC-Card, charcoal
gray)

HCS-3630DAE_S...Economical Conference System Delegate Unit
(tabletop, 5 voting keys, IC-Card, silver)

HCS-3641NC Chairman Unit



Features

- Flush-mounting, stylish and ergonomic design
- Pluggable stem microphone
- Priority key
- Excellent immunity to RF interference from mobile phones

The stylish and ergonomically designed chairman unit has the necessary facilities to enable the user to chair a conference. It has excellent immunity to RF interference from mobile phones. Similar in appearance to HCS-3641ND Delegate Unit, the HCS-3641NC Chairman Unit includes a microphone priority button. When pressed, the priority button causes all currently active delegate microphones to be switched off temporarily or permanently, allowing the chairman to take control of the meeting.

Functions

- Compliant to IEC 60914
- Excellent immunity to RF interference from mobile phones and comparable devices
- Mini-microphone, with foam windshield
- Stem microphone can be unplugged during adjournment, easy to maintain
- Microphone On/Off button
- System when operated in stand-alone mode can implement the following facilities:
 - ◆ “ACTIVE MICS”, set the number of delegates permitted to speak at the same time
 - ◆ “OPEN” mode, microphone key with request-to-speak registration (AUTO)
 - ◆ “OVERRIDE” mode, microphone key control with override of the active microphones (FIFO)
 - ◆ “VOICE” mode, microphone activation on speaking
 - ◆ “APPLY” mode, delegate applies to speak by pressing apply key, delegate can speak only when operator or chairman approved his application
 - ◆ In “OPEN/OVERRIDE/APPLY” mode, chairman unit can be set up as “Dais mode”, it will keep active all the time

- Automatic video tracking, when cooperating with camera and video switcher unit
- Can be activated at any time
- Priority key can switch off or mute the speaking units according to preset
- Approves/denies all delegates' speaking requests
- System supports up to 100 chairman units, while only one chairman unit has the control facilities listed above (set by software)

Controls and Indicators

- Uni-directional electret condenser microphone with illuminated ring
- Microphone On/Off button with indicator
- Priority key

Interconnections

- Socket for pluggable stem microphone
- 1.5 m cable with 6P-DIN plug
- 0.6 m cable with 6P-DIN socket

Technical Specifications

Electrical

Max. consumption.....1.0 W

Microphone

Transducer.....Electret-condenser
 Polar pattern.....Uni-directional
 Operating voltage.....5 VDC
 Sensitivity.....-46 dBV/Pa
 Frequency response.....80 Hz to 18 kHz
 Input impedance.....2 kOhm
 Directivity 0°/180°.....> 20 dB (1 kHz)
 Equivalent noise.....25 dBA (SPL)
 Maximum sound pressure level.....125 dB (THD<3%)

Mechanical

Mounting.....Flush-mounting
 Dimensions (h x w x d) (w/o stem microphone).....83 x 111 x 41 mm
 Weight (incl. stem microphone).....0.2 kg
 Color.....Silver (PANTONE 428 C)
 / Charcoal gray (PANTONE Cool Gray 11 C)
 Stem length.....410 mm (standard version),
 240 mm, 330 mm, 470 mm

Ordering Information

HCS-3641NC.....Economical Conference System Chairman Unit
 (flush-mounting, silver)

HCS-3641NC_G.....Economical Conference System Chairman Unit
 (flush-mounting, charcoal gray)

HCS-3641ND Discussion Unit



Features

- **Flush-mounting, stylish and ergonomic design**
- **Pluggable stem microphone**
- **Excellent immunity to RF interference from mobile phones**

The delegate unit meets the basic demands of the conferences. It provides facilities for speaking and registering a request-to-speak. It has excellent immunity to RF interference from mobile phones.

Functions

- Compliant to IEC 60914
- Excellent immunity to RF interference from mobile phones and comparable devices
- Mini-microphone, with foam windshield
- Stem microphone can be unplugged during adjournment, easy to maintain
- Microphone On/Off button
- System when operated in stand-alone mode can implement the following facilities:
 - ◆ "ACTIVE MICS", set the number of delegates permitted to speak at the same time
 - ◆ "OPEN" mode, microphone key with request-to-speak registration (AUTO)
 - ◆ "OVERRIDE" mode, microphone key control with override of the active microphones (FIFO)
 - ◆ "VOICE" mode, microphone activation on speaking
 - ◆ "APPLY" mode, delegate applies to speak by pressing apply key, delegate can speak only when operator or chairman approved his application
 - ◆ In "OPEN/OVERRIDE/APPLY" mode, chairman unit can be set up as "Dais mode", it will keep active all the time
- Automatic video tracking, when cooperating with camera and video switcher unit
- Set any delegate unit to be VIP unit
 - ◆ Up to 32 units can be set as VIP in one system via application software

- ◆ VIP unit can be activated as long as the total of active microphones is not beyond 6 (incl. chairman/delegate/VIP unit)

Controls and Indicators

- Uni-directional electret condenser microphone with illuminated ring
- Microphone On/Off button with indicator

Interconnections

- Socket for pluggable stem microphone
- 1.5 m cable with 6P-DIN plug
- 0.6 m cable with 6P-DIN socket

Technical Specifications

Electrical

Max. consumption.....1.0 W

Microphone

Transducer.....Electret-condenser
 Polar pattern.....Uni-directional
 Operating voltage.....5 VDC
 Sensitivity.....-46 dBV/Pa
 Frequency response.....80 Hz to 18 kHz
 Input impedance.....2 kOhm
 Directivity 0°/180°.....> 20 dB (1 kHz)
 Equivalent noise.....25 dBA (SPL)
 Maximum sound pressure level.....125 dB (THD<3%)

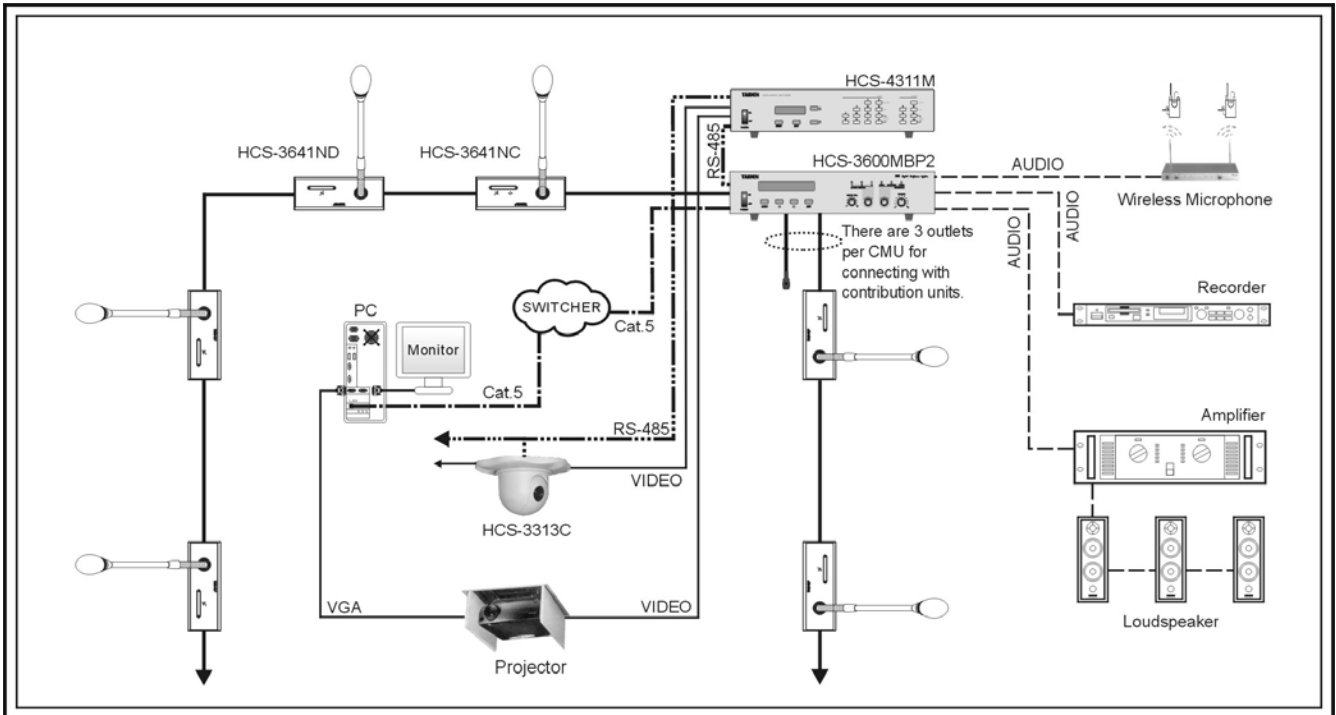
Mechanical

Mounting.....Flush-mounting
 Dimensions (h x w x d) (w/o stem microphone).....83 x 111 x 41 mm
 Weight (incl. stem microphone).....0.2 kg
 Color.....Silver (PANTONE 428 C)
 / Charcoal gray (PANTONE Cool Gray 11 C)
 Stem length.....410 mm (standard version),
 240 mm, 330 mm, 470 mm

Ordering Information

HCS-3641ND.....Economical Conference System Delegate Unit
 (flush-mounting, silver)
 HCS-3641ND_G.....Economical Conference System Delegate Unit
 (flush-mounting, charcoal gray)

System Connection



HCS-3643NCTE Voting Unit



Features

- Flush-mounting, stylish and ergonomic design
- Max system capacity: 4096 voting units
- 3 voting keys
- Controls voting start and stop

Functions

- New digital design, compliant to many international standards
- Voting system is resistive to 8 kV static, conforms to IEC CISPR 24
- Max system capacity: 4096 voting units
- 3 voting keys
- In combination with corresponding software modules, multiform voting can be implemented:
 - ◆ Parliamentary: YES/NO/ABSTAIN
 - Pass-rate setup, voting result calculated automatically
 - Voting result calculated according to predefined or present attendance
- Controls voting start and stop
- Key-press sign-in
- Automatic detection

Interconnections

- 1.5 m cable with 6P-DIN plug
- 0.6 m cable with 6P-DIN socket

Technical Specifications

Mechanical

Mounting.....Flush-mounting
 Dimensions (h x w x d) (w/o stem microphone).....83 x 111 x 41 mm
 Weight.....100 g
 Color.....Silver (PANTONE 428 C)
 / Charcoal gray (PANTONE Cool Gray 11 C)

Ordering Information

HCS-3643NCTE.....Economical Voting System Chairman Unit
 (flush-mounting, 3 voting keys, silver)

HCS-3643NCTE_G.....Economical Voting System Chairman Unit
 (flush-mounting, 3 voting keys, charcoal gray)

HCS-3643NDTE Voting Unit



Features

- Flush-mounting, stylish and ergonomic design
- Max system capacity: 4096 voting units
- 3 voting keys

Functions

- New digital design, compliant to many international standards
- Voting system is resistive to 8 kV static, conforms to IEC CISPR 24
- Max system capacity: 4096 voting units
- 3 voting keys
- In combination with corresponding software modules, multiform voting can be implemented:
 - ◆ Parliamentary: YES/NO/ABSTAIN
 - Pass-rate setup, voting result calculated automatically
 - Voting result calculated according to predefined or present attendance
- Key-press sign-in
- Automatic detection

Interconnections

- 1.5 m cable with 6P-DIN plug
- 0.6 m cable with 6P-DIN socket

Technical Specifications

Mechanical

Mounting.....Flush-mounting
 Dimensions (h x w x d) (w/o stem microphone).....83 x 111 x 41 mm
 Weight.....100 g
 Color.....Silver (PANTONE 428 C)
 / Charcoal gray (PANTONE Cool Gray 11 C)

Ordering Information

HCS-3643NDTE.....Economical Voting System Delegate Unit
 (flush-mounting, 3 voting keys, silver)

HCS-3643NDTE_G.....Economical Voting System Delegate Unit
 (flush-mounting, 3 voting keys, charcoal gray)

HCS-3643NCTKE Voting Unit with IC-Card Reader



Ordering Information

- HCS-3643NCTKE.....Economical Voting System Chairman Unit
(flush-mounting, 3 voting keys, IC-Card, silver)
- HCS-3643NCTKE_G....Economical Voting System Chairman Unit
(flush-mounting, 3 voting keys, IC-Card, charcoal gray)

Features

- Flush-mounting, stylish and ergonomic design
- Max system capacity: 4096 voting units
- 3 voting keys
- Controls voting start and stop
- Built-in IC-Card reader

Functions

- New digital design, compliant to many international standards
- Voting system is resistive to 8 kV static, conforms to IEC CISPR 24
- Max system capacity: 4096 voting units
- 3 voting keys
- In combination with corresponding software modules, multiform voting can be implemented:
 - ◆ Parliamentary: YES/NO/ABSTAIN
 - Pass-rate setup, voting result calculated automatically
 - Voting result calculated according to predefined or present attendance
- Controls voting start and stop
- Built-in IC-Card reader
- Key-press sign-in
- Automatic detection

Interconnections

- 1.5 m cable with 6P-DIN plug
- 0.6 m cable with 6P-DIN socket

Technical Specifications

Mechanical

Mounting.....Flush-mounting
 Dimensions (h x w x d) (w/o stem microphone)....83 x 111 x 41 mm
 Weight.....100 g
 Color.....Silver (PANTONE 428 C)
 / Charcoal gray (PANTONE Cool Gray 11 C)

HCS-3643NDTKE Voting Unit with IC-Card Reader



Ordering Information

HCS-3643NDTKE.....Economical Voting System Delegate Unit
(flush-mounting, 3 voting keys, IC-Card,
silver)

HCS-3643NDTKE_G.....Economical Voting System Delegate Unit
(flush-mounting, 3 voting keys, IC-Card,
charcoal gray)

Features

- Flush-mounting, stylish and ergonomic design
- Max system capacity: 4096 voting units
- 3 voting keys
- Built-in IC-Card reader

Functions

- New digital design, compliant to many international standards
- Voting system is resistive to 8 kV static, conforms to IEC CISPR 24
- Max system capacity: 4096 voting units
- 3 voting keys
- In combination with corresponding software modules, multiform voting can be implemented:
 - ◆ Parliamentary: YES/NO/ABSTAIN
 - Pass-rate setup, voting result calculated automatically
 - Voting result calculated according to predefined or present attendance
- Built-in IC-Card reader
- Key-press sign-in
- Automatic detection

Interconnections

- 1.5 m cable with 6P-DIN plug
- 0.6 m cable with 6P-DIN socket

Technical Specifications

Mechanical

Mounting.....Flush-mounting
 Dimensions (h x w x d) (w/o stem microphone)....83 x 111 x 41 mm
 Weight.....100 g
 Color.....Silver (PANTONE 428 C)
 / Charcoal gray (PANTONE Cool Gray 11 C)

HCS-3643NCFE Voting Unit



Ordering Information

HCS-3643NCFE.....Economical Voting System Chairman Unit
(flush-mounting, 5 voting keys, silver)

HCS-3643NCFE_G.....Economical Voting System Chairman Unit
(flush-mounting, 5 voting keys, charcoal gray)

Features

- Flush-mounting, stylish and ergonomic design
- Max system capacity: 4096 voting units
- 5 voting keys
- Controls voting start and stop

Functions

- New digital design, compliant to many international standards
- Voting system is resistive to 8 kV static, conforms to IEC CISPR 24
- Max system capacity: 4096 voting units
- 5 voting keys
- In combination with corresponding software modules, multiform voting can be implemented:
 - ◆ Parliamentary: YES/NO/ABSTAIN
 - Pass-rate setup, voting result calculated automatically
 - Voting result calculated according to predefined or present attendance
 - ◆ Questionnaire: 1/2/3/4/5
 - ◆ Audience response: --/-/0/+/>++
- Controls voting start and stop
- Key-press sign-in
- Automatic detection

Interconnections

- 1.5 m cable with 6P-DIN plug
- 0.6 m cable with 6P-DIN socket

Technical Specifications

Mechanical

Mounting.....Flush-mounting
 Dimensions (h x w x d) (w/o stem microphone).....83 x 111 x 41 mm
 Weight.....100 g
 Color.....Silver (PANTONE 428 C)
 / Charcoal gray (PANTONE Cool Gray 11 C)

HCS-3643NDFE Voting Unit



Ordering Information

- HCS-3643NDFE.....Economical Voting System Delegate Unit (flush-mounting, 5 voting keys, silver)
- HCS-3643NDFE_G.....Economical Voting System Delegate Unit (flush-mounting, 5 voting keys, charcoal gray)

Features

- Flush-mounting, stylish and ergonomic design
- Max system capacity: 4096 voting units
- 5 voting keys

Functions

- New digital design, compliant to many international standards
- Voting system is resistive to 8 kV static, conforms to IEC CISPR 24
- Max system capacity: 4096 voting units
- 5 voting keys
- In combination with corresponding software modules, multifunction voting can be implemented:
 - ◆ Parliamentary: YES/NO/ABSTAIN
 - Pass-rate setup, voting result calculated automatically
 - Voting result calculated according to predefined or present attendance
 - ◆ Questionnaire: 1/2/3/4/5
 - ◆ Audience response: --/0/+/++
- Key-press sign-in
- Automatic detection

Interconnections

- 1.5 m cable with 6P-DIN plug
- 0.6 m cable with 6P-DIN socket

Technical Specifications

Mechanical

Mounting.....Flush-mounting
 Dimensions (h x w x d) (w/o stem microphone).....83 x 111 x 41 mm
 Weight.....100 g
 Color.....Silver (PANTONE 428 C)
 / Charcoal gray (PANTONE Cool Gray 11 C)

HCS-3643NCFKE Voting Unit with IC-Card Reader



Features

- **Flush-mounting, stylish and ergonomic design**
- **Max system capacity: 4096 voting units**
- **5 voting keys**
- **Controls voting start and stop**
- **Built-in IC-Card reader**

Functions

- New digital design, compliant to many international standards
- Voting system is resistive to 8 kV static, conforms to IEC CISPR 24
- Max system capacity: 4096 voting units
- 5 voting keys
- In combination with corresponding software modules, multiform voting can be implemented:
 - ◆ Parliamentary: YES/NO/ABSTAIN
 - Pass-rate setup, voting result calculated automatically
 - Voting result calculated according to predefined or present attendance
 - ◆ Questionnaire: 1/2/3/4/5
 - ◆ Audience response: --/-/0/+/>
- Controls voting start and stop
- Built-in IC-Card reader
- Key-press sign-in
- Automatic detection

Interconnections

- 1.5 m cable with 6P-DIN plug
- 0.6 m cable with 6P-DIN socket

Technical Specifications

Mechanical

Mounting.....Flush-mounting
 Dimensions (h x w x d) (w/o stem microphone).....83 x 111 x 41 mm
 Weight.....100 g
 Color.....Silver (PANTONE 428 C)
 / Charcoal gray (PANTONE Cool Gray 11 C)

HCS-3643NDFKE Voting Unit with IC-Card Reader



Ordering Information

- HCS-3643NDFKE.....Economical Voting System Delegate Unit
(flush-mounting, 5 voting keys, IC-Card, silver)
- HCS-3643NDFKE_G.....Economical Voting System Delegate Unit
(flush-mounting, 5 voting keys, IC-Card, charcoal gray)

Features

- Flush-mounting, stylish and ergonomic design
- Max system capacity: 4096 voting units
- 5 voting keys
- Built-in IC-Card reader

Functions

- New digital design, compliant to many international standards
- Voting system is resistive to 8 kV static, conforms to IEC CISPR 24
- Max system capacity: 4096 voting units
- 5 voting keys
- In combination with corresponding software modules, multiform voting can be implemented:
 - ◆ Parliamentary: YES/NO/ABSTAIN
 - Pass-rate setup, voting result calculated automatically
 - Voting result calculated according to predefined or present attendance
 - ◆ Questionnaire: 1/2/3/4/5
 - ◆ Audience response: -/-/0/+/>++
- Built-in IC-Card reader
- Key-press sign-in
- Automatic detection

Interconnections

- 1.5 m cable with 6P-DIN plug
- 0.6 m cable with 6P-DIN socket

Technical Specifications

Mechanical

Mounting.....Flush-mounting
 Dimensions (h x w x d) (w/o stem microphone)....83 x 111 x 41 mm
 Weight.....100 g
 Color.....Silver (PANTONE 428 C)
 / Charcoal gray (PANTONE Cool Gray 11 C)

HCS-4844N/50 Flush Loudspeaker Panel



Technical Specifications

Mechanical

Mounting..... Flush-mounting
 Dimensions (h x w x d)..... 27 x 94 x 99 mm
 Weight..... 150 g
 Color..... Silver (PANTONE 428 C)
 / Charcoal gray (PANTONE Cool Gray 11 C)

Ordering Information

HCS-4844N_S/50..... Flush Loudspeaker Panel (silver)
 HCS-4844N_G/50..... Flush Loudspeaker Panel (charcoal gray)

HCS-4844NA/50 Flush Loudspeaker Panel



Technical Specifications

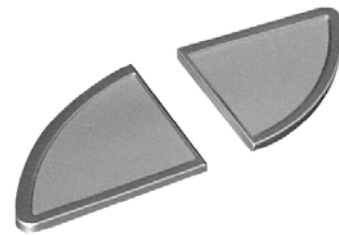
Mechanical

Mounting..... Flush-mounting
 Dimensions (h x w x d)..... 61 x 94 x 99 mm
 Weight..... 160 g
 Color..... Silver (PANTONE 428 C)
 / Charcoal gray (PANTONE Cool Gray 11 C)

Ordering Information

HCS-4844NA_S/50..... Flush Loudspeaker Panel (silver, cover)
 HCS-4844NA_G/50..... Flush Loudspeaker Panel
 (charcoal gray, cover)

HCS-4845N/50 Flush End Caps



Technical Specifications

Mechanical

Mounting..... Flush-mounting
 Dimensions (h x w x d)..... 3 x 48 x 41 mm
 Weight..... 4 g
 Color..... Silver (PANTONE 428 C)
 / Charcoal gray (PANTONE Cool Gray 11 C)

Ordering Information

HCS-4845N_S/50..... Flush End Cap (silver, 50 pairs/pack)
 HCS-4845N_G /50... Flush End Cap (charcoal gray, 50 pairs/pack)

HCS-4846N1/50 Cover



Technical Specifications

Mechanical

Dimensions (h x w x d).....5 x 214 x 45 mm
 Weight.....80 g
 Color.....Silver (PANTONE 428 C)
 / Charcoal gray (PANTONE Cool Gray 11 C)

Ordering Information

HCS-4846N1_S/50.....Cover (for one unit, 214 mm, silver)
 HCS-4846N1_G/50.....Cover (for one unit, 214 mm, charcoal gray)

HCS-4846N2/50 Cover



Technical Specifications

Mechanical

Dimensions (h x w x d).....5 x 325 x 45 mm
 Weight.....120 g
 Color.....Silver (PANTONE 428 C)
 / Charcoal gray (PANTONE Cool Gray 11 C)

Ordering Information

HCS-4846N2_S/50.....Cover (for two units, 325 mm, silver)
 HCS-4846N2_G/50.....Cover (for two units, 325 mm, charcoal gray)

System Connection



Combination of N-style units

HCS-3600MB2 Conference Main Unit



Features

- Controls up to 254 contribution units
- TCP/IP communication protocol in PC control
- Remote control, remote diagnosis and remote update
- Parallel redundancy & multi-room configuration
- Excellent immunity to RF interference from mobile phones and comparable devices

The Conference Main Unit includes features for controlling delegate microphones and conducting voting sessions, without an operator. In combination with a PC, the control unit brings greater sophistication to conference control. Users can access an extensive range of software modules, each with a specific function in controlling and monitoring a conference, greatly expanding the capacity to manage a conference. In the event of PC failure, the control unit will revert to its stand-alone operation mode, enabling the conference to proceed.

Functions

- Compliant to IEC 60914 and CE
- Controls up to 254 contribution units
- Advanced TCP/IP communication protocol in PC controlled mode, easy to carry out remote control, remote diagnosis and remote update
- System when operated in stand-alone mode can implement the following facilities:
 - ◆ "ACTIVE MICS", set the number of delegates permitted to speak at the same time
 - ◆ Speaking time limit can be set up (1-240 minutes)
 - ◆ "OPEN" mode, microphone key with request-to-speak registration (AUTO)
 - ◆ "OVERRIDE" mode, microphone key control with override of the active microphones (FIFO)
 - ◆ "VOICE" mode, microphone activation on speaking
 - ◆ "APPLY" mode, delegate applies to speak by pressing apply key, delegate can speak only when operator or chairman approved his application
 - ◆ In "OPEN/OVERRIDE/APPLY" mode, chairman unit can be set up as "Dais mode", it will keep active all the time
 - ◆ Parliamentary voting (YES/NO/ABSTAIN)

- In combination with the corresponding software modules, more functions can be implemented:
 - ◆ Intensive microphone management
 - ◆ Sign-in mode (entry sign-in/seat sign-in)
 - ◆ Multiform voting:
 - Parliamentary: YES/NO/ABSTAIN
 - Questionnaire: 1/2/3/4/5
 - Audience response: --/0/+/>++
 - ◆ In PC-control mode, according to the application software modules purchased, multiple conference management facilities are available
- Automatic video tracking, when cooperating with camera and video switcher unit
- Multi-room configuration: CMU can be used as extension main unit. Multiple CMUs can either be connected into one conference system or be used separately as several independent conference systems, therefore multi-room configuration can be carried out flexibly.
- Built-in unit detection facilities, detect the unit's microphone, voting keys, loudspeaker and LED before the meeting.
- If the PC is broken down, CMU enters the stand-alone state automatically, carrying out basic conference control, ensuring the consistency of conference.

Controls and Indicators

- Graphic LCD with back-lighting displays the status and the menu of system configuration, supporting multilingual menus
- Four buttons for configuration
- Power switch with indicator
- LINE IN electric level adjust knob
- Maximum active microphone (1/2/4) selector and indicators
- Operation mode selector (OPEN/ OVERRIDE/ VOICE/ APPLY) and indicators
- Conference unit floor audio channel master volume adjust knob

Interconnections

- Multiple audio in/out interfaces:
 - ◆ Two symmetrical RCA output interfaces, enabling long range transmission with low noise
 - ◆ One record input/output port
 - ◆ One balanced line-in interface (Ø 6.4 mm) with level control
 - ◆ One balanced line-out interface (XLR socket)
 - ◆ Emergency signal interface: for connection to public emergency system. Pauses the conference automatically if the system is switched on and sends alarm signals to conference units
- Built-in video switcher:
 - ◆ 4 BNC video input ports, 1 BNC video output port, cooperates with video control software for automatic video tracking
 - ◆ When cooperating with video switcher unit, more cameras and video signals can be automatically switched and tracked
- 2 RS-232 ports for connection to central control system and system diagnosis each
- One TAINET interface for connection to central control system

- 3×outlet (6P-DIN) trunk-line cable outlets
- Ethernet interface (RJ45)
- Extension interface

Technical Specifications

Electrical

Frequency response40 Hz to 16 kHz
 SNR>80 dBA
 Dynamic range>85 dB
 Isolation>70 dB
 THD<0.05%
 Power supplyAC 100 V-120 V 60 Hz or AC 220 V-240 V 50 Hz
 Power consumption150 W
 RS-232 connection2 x nine-pole Sub-D female socket

Audio inputs

LINE IN0.775 V BAL.
 REC. IN0.775 V UNBAL.

Audio outputs

REC. OUTPUT RCA X 10.775 V UNBAL.
 ORIGINAL OUTPUT RCA x 20.775 V BAL.
 ORIGINAL OUTPUT XLR x 10.775 V BAL.

Mechanical

MountingTabletop or mounted in a 19" rack
 Dimensions (h x w x d)
 For table use, with feet99 x 430 x 325 mm
 For 19" rack use, with brackets89 x 478 x 350 mm
 Weight8.2 kg
 ColorWhite (PANTONE 420 C)

Ordering Information

HCS-3600MB2Economical Conference System Main Unit
 (discussion, voting, 256x32 LCD, 6P sockets)

HCS-3600MBP2 Conference Main Unit



Features

- Controls up to 254 contribution units
- TCP/IP communication protocol in PC control
- Remote control, remote diagnosis and remote update
- Parallel redundancy & multi-room configuration
- Excellent immunity to RF interference from mobile phones and comparable devices

The Conference Main Unit includes features for controlling delegate microphones without an operator.

In combination with a PC, the control unit brings greater sophistication to conference control. Users can access an extensive range of software modules, each with a specific function in controlling and monitoring a conference, greatly expanding the capacity to manage a conference. In the event of PC failure, the control unit will revert to its stand-alone operation mode, enabling the conference to proceed.

Functions

- Compliant to IEC 60914 and CE
- Controls up to 254 contribution units
- Advanced TCP/IP communication protocol in PC controlled mode, easy to carry out remote control, remote diagnosis and remote update
- System when operated in stand-alone mode can implement the following facilities:
 - ◆ "ACTIVE MICS", set the number of delegates permitted to speak at the same time
 - ◆ Speaking time limit can be set up (1-240 minutes)
 - ◆ "OPEN" mode, microphone key with request-to-speak registration (AUTO)
 - ◆ "OVERRIDE" mode, microphone key control with override of the active microphones (FIFO)
 - ◆ "VOICE" mode, microphone activation on speaking
 - ◆ "APPLY" mode, delegate applies to speak by pressing apply key, delegate can speak only when operator or chairman approved his application
 - ◆ In "OPEN/OVERRIDE/APPLY" mode, chairman unit can be set up as "Dais mode", it will keep active all the time

- In combination with the corresponding software modules, more functions can be implemented:
 - ◆ Intensive microphone management
 - ◆ Sign-in mode (entry sign-in/seat sign-in)
 - ◆ In PC-control mode, according to the application software modules purchased, multiple conference management facilities are available
- Automatic video tracking, when cooperating with camera and video switcher unit
- Multi-room configuration: CMU can be used as extension main unit. Multiple CMUs can either be connected into one conference system or be used separately as several independent conference systems, therefore multi-room configuration can be carried out flexibly.
- Built-in unit detection facilities, detect the unit's microphone, loudspeaker and LED before the meeting.
- If the PC is broken down, CMU enters the stand-alone state automatically, carrying out basic conference control, ensuring the consistency of conference

Controls and Indicators

- Graphic LCD with back-lighting displays the status and the menu of system configuration, supporting multilingual menus
- Four buttons for configuration
- Power switch with indicator
- LINE IN electric level adjust knob
- Maximum active microphone (1/2/4) selector and indicators
- Operation mode selector (OPEN/ OVERRIDE/ VOICE/ APPLY) and indicators
- Conference unit floor audio channel master volume adjust knob

Interconnections

- Multiple audio in/out interfaces:
 - ◆ Two symmetrical RCA output interfaces, enabling long range transmission with low noise
 - ◆ One record input/output port
 - ◆ One balanced line-in interface (Ø 6.4 mm) with level control
 - ◆ One balanced line-out interface (XLR socket)
 - ◆ Emergency signal interface: for connection to public emergency system. Pauses the conference automatically if the system is switched on and sends alarm signals to conference units
- Built-in video switcher:
 - ◆ 4 BNC video input ports, 1 BNC video output port, cooperating with video control software for automatic video tracking
 - ◆ When cooperating with video switcher unit, more cameras and video signals can be automatically switched and tracked
- 2 RS-232 ports for connection to central control system and system diagnosis each
- One TAINET interface for connection to central control system
- 3×outlet (6P-DIN) trunk-line cable outlets
- Ethernet interface (RJ45)
- Extension interface

Technical Specifications

Electrical

Frequency response40 Hz to 16 kHz
 SNR>80 dBA
 Dynamic range>85 dB
 Isolation>70 dB
 THD<0.05%
 Power supply.....AC 100 V-120 V 60 Hz or AC 220 V-240 V 50 Hz
 Power consumption.....150 W
 RS-232 connection.....2 x nine-pole Sub-D female socket

Audio inputs

LINE IN0.775 V BAL.
 REC. IN0.775 V UNBAL.

Audio outputs

REC. OUTPUT RCA X 1.....0.775 V UNBAL.
 ORIGINAL OUTPUT RCA x 2.....0.775 V BAL.
 ORIGINAL OUTPUT XLR x 1.....0.775 V BAL.

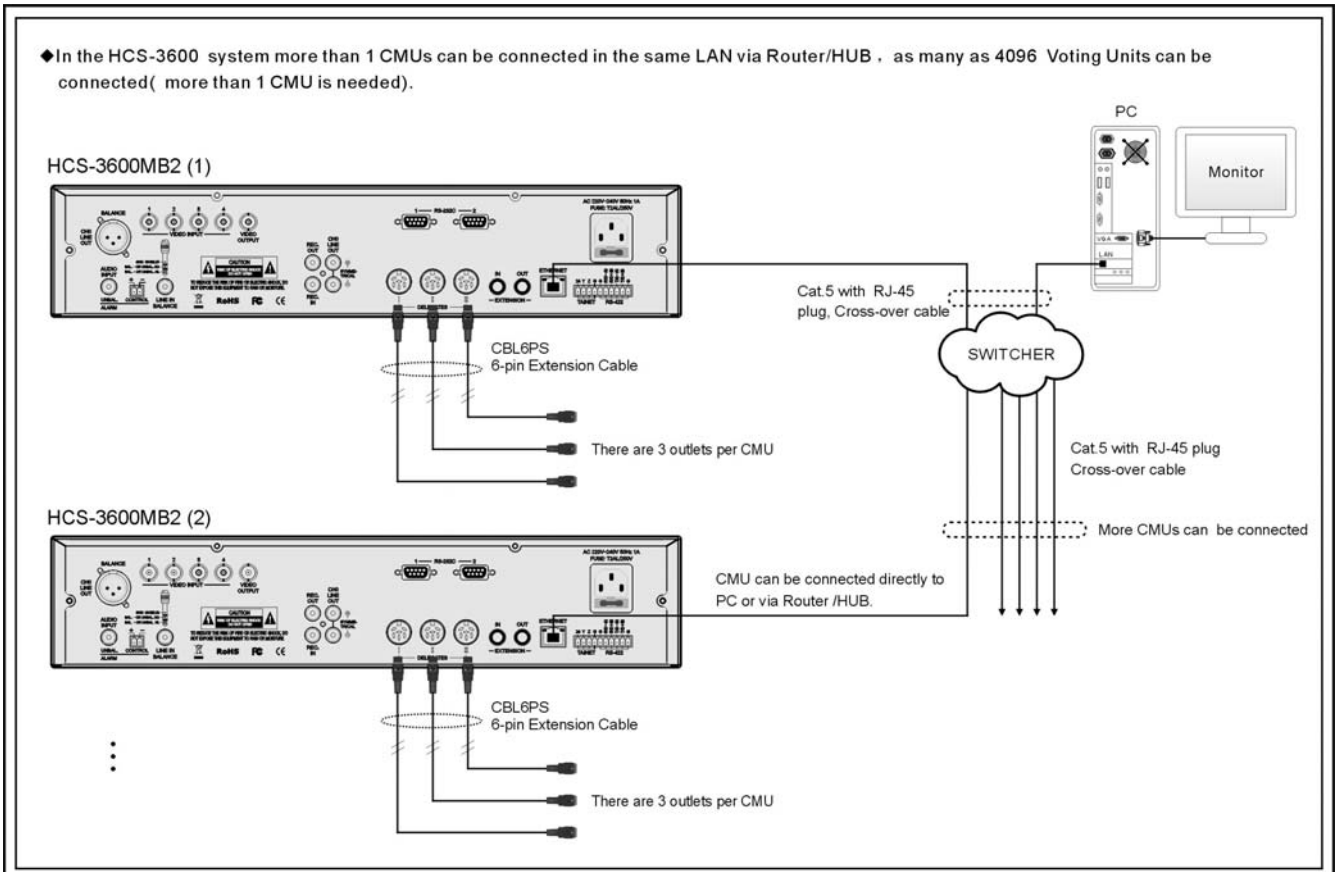
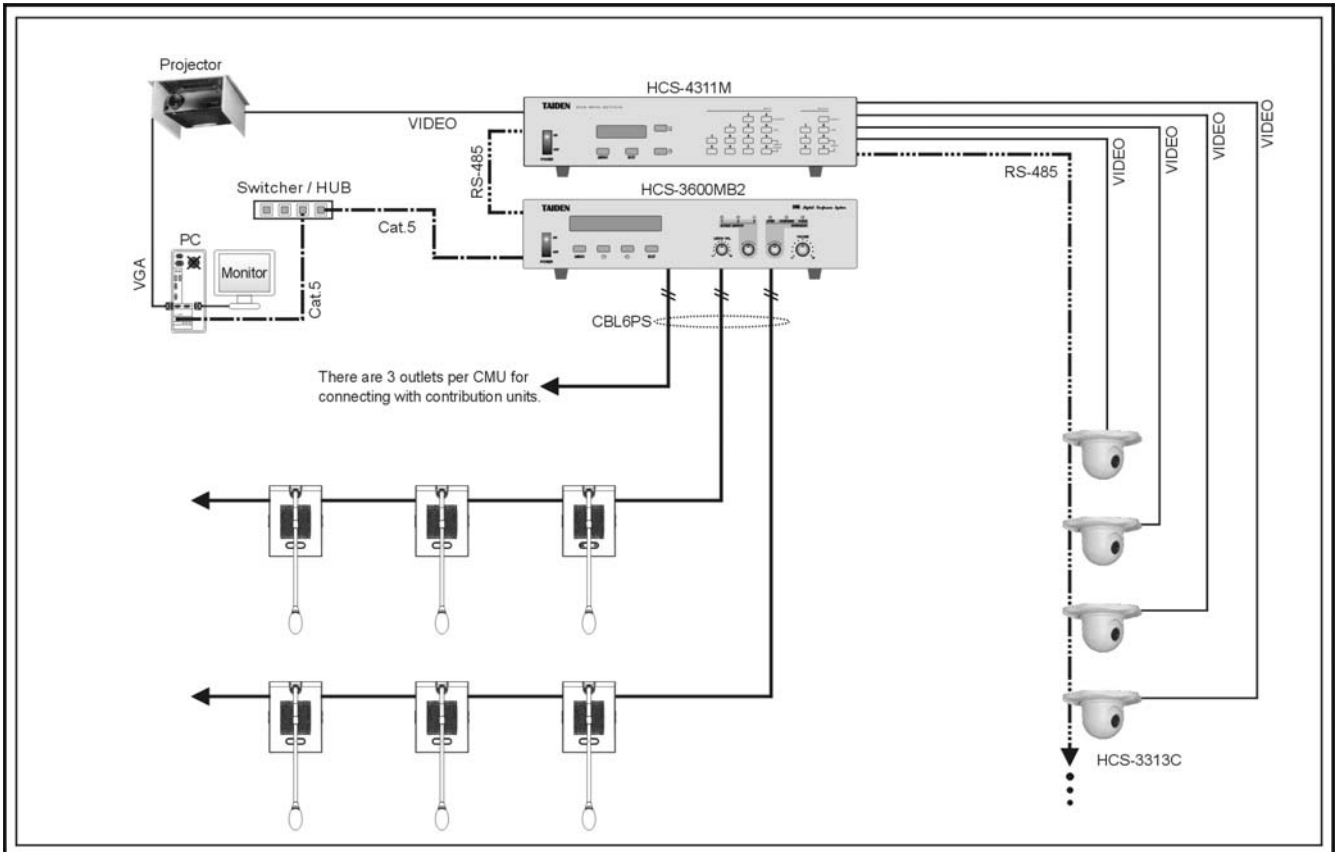
Mechanical

Mounting.....Tabletop or mounted in a 19" rack
 Dimensions (h x w x d)
 For table use, with feet99 x 430 x 325 mm
 For 19" rack use, with brackets.....89 x 478 x 350 mm
 Weight8.2 kg
 Color.....White (PANTONE 420 C)

Ordering Information

HCS-3600MBP2.....Economical Conference System Main Unit
 (discussion, 256x32 LCD, 6P sockets)

System Connection



HCS-3600ME Conference Extension Main Unit



The capacity of HCS-3600M series CMU is 87 contribution units. If extra contribution units are needed, HCS-3600ME Conference Extension Main Unit(s) should be added. Both the capacity and the outlet connectors are identical to HCS-3600M series CMU. Each HCS-3600ME has an input interface used to connect HCS-3600M series CMU, and an output interface for another HCS-3600ME Conference Extension Main Unit. All cables are dedicated 6P cables.

Functions

- Compliant to IEC 60914 and CE
- Cooperates with HCS-3600MB2/MBP2 for system capacity extension
- Controls up to 87 contribution units

Interconnections

- One 6P-DIN standard plug (input) for connection with system CMU
- One 6P-DIN standard socket (output) for connection with contribution unit or the next Conference Extension Main Unit
- 3 x outlet (6P-DIN) trunk-line cable connectors for connection with contribution units

Technical Specifications

Electrical

Power supply.....AC 100 V-120 V 60 Hz or AC 220 V-240 V 50 Hz
 Power consumption.....150 W

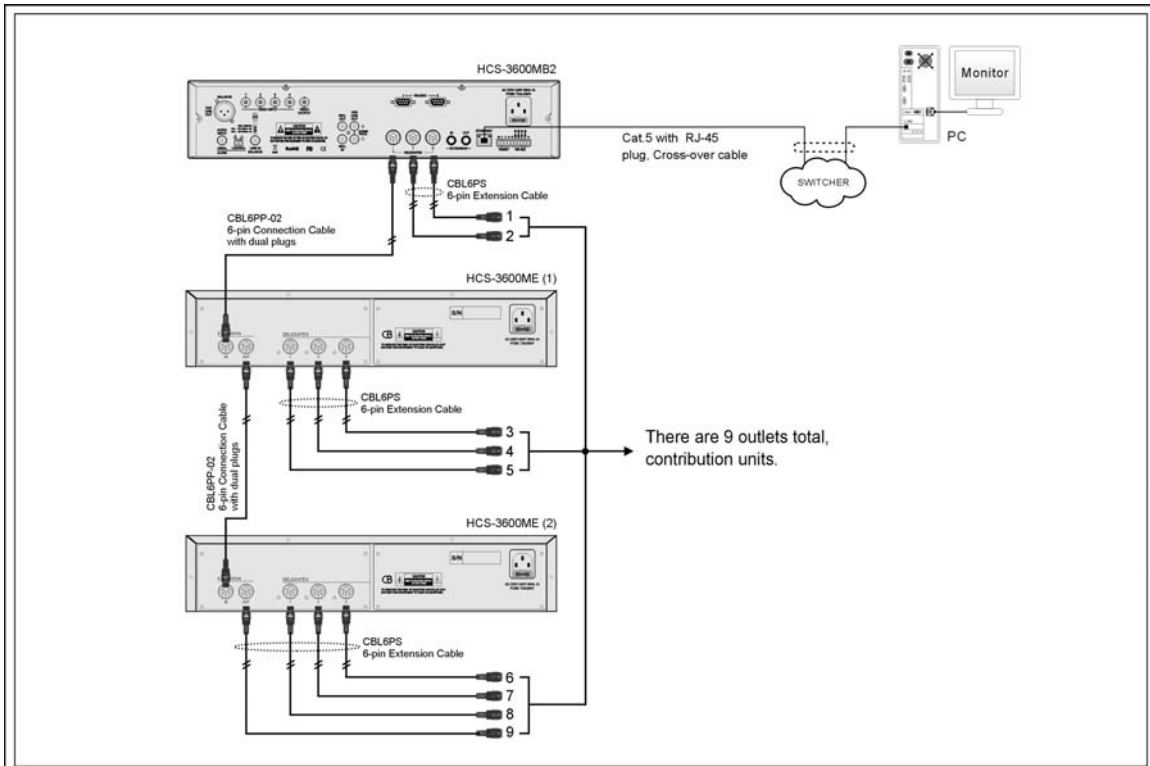
Mechanical

Mounting.....Tabletop or mounted in a 19" rack
 Dimensions (h x w x d)
 For table use, with feet.....99 x 430 x 325 mm
 For 19" rack use, with brackets.....89 x 478 x 350 mm
 Weight.....7.4 kg
 Color.....White (PANTONE 420 C)

Ordering Information

HCS-3600ME.....Economical Conference System Extension Main Unit (6P sockets)

System Connection - Expansion Connection between HCS-3600MB2 and HCS-3600ME



HCS-3600 Series Application Software

HCS-3600 application software is comprehensive, reliable and user-friendly. But it is also an easy care software system which helps the operator to manage the conference efficiently from the very beginning of a meeting until the post-meeting work. With the PC installed HCS-3600 application software connected into the FDCS, operator can manage all aspects of the conference centrally. The operation turns out to be easy and efficient.

HCS-3600 application software is a modular software with various functional modules:

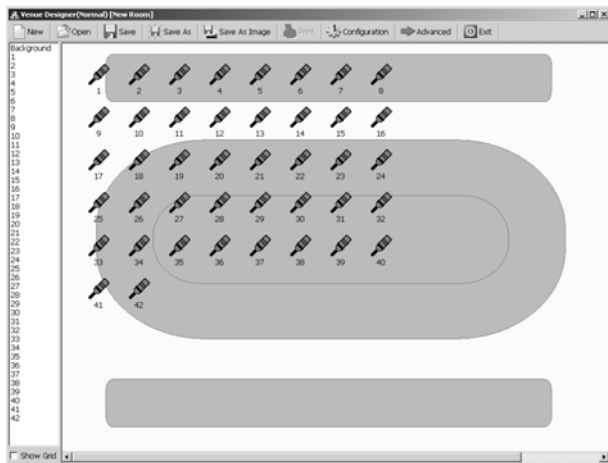
- Basic System Setup Management Software Module (HCS-4210TS/20)
- Professional Venue Design Software Module (HCS-4212TS/20)
- Microphone Management Software Module (HCS-4213TS/20)
- Voting Management Software Module (HCS-4214TS/20S)
- Video Control Software Module (HCS-4215TS/20)
- Synchronous Audio Recording Management Software Module (HCS-4219TS/20)
- Multi-User Conference Control Software Module (HCS-4221TS/20)
- Dual PC Server Hot Spare Software Module (HCS-4222TS/20)
- Agenda Control Software Module (HCS-4223TS/20)
- Speech Prompt Software Module (HCS-4224TS/20)
- Touched IC-Card Sign-in Management Software Module (HCS-4226TS/20)
- Digital HD Video Recording Management Software Module (HCS-4243TS/20)



HCS-4210TS/20 Basic Software Module

Basic software module consists of an amount of facilities, e.g. venue design (normal edition), conference management, main unit configuration, contribution unit configuration, information display, system detection, system report and user management.

Venue design facility



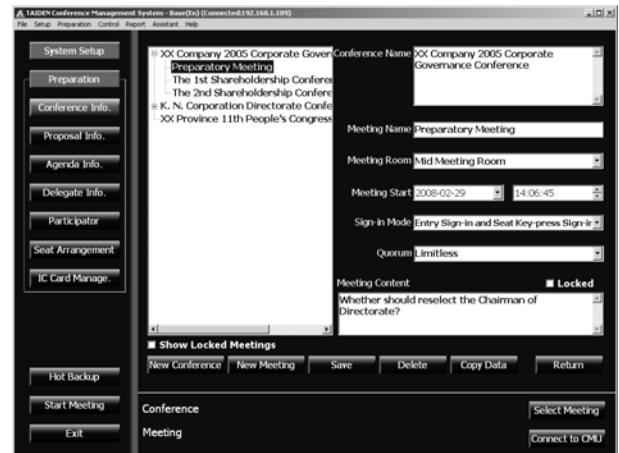
Venue design (normal edition)

Functions

Converts the venue seating into an intuitive, graphical and controllable interface as a basis for further use, according to the actual layout of the venue.

- Self-designing the background picture and color, supporting pictures of any size
- Microphone number, amount of microphones per line, icon type - icon transparency optionally
- Freely drag and drop the microphone icon
- Reconfiguration of the initialized settings, available at any time
- Save/open files for file management
- Especially suitable for small-scale and medium-sized meeting room/hall. The professional edition of venue design module offers more facilities described in HCS-4212TS/20 Professional Venue Design Module

Conference information management



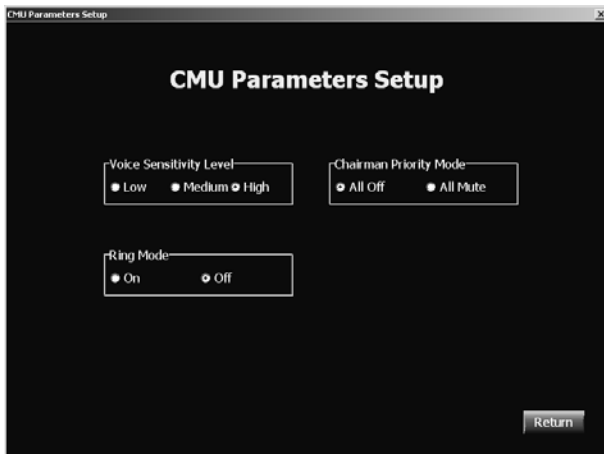
Conference information

Functions

Comprehensive conference information management facility, for clear and easy user management.

- Includes conference name and meeting information
- Each conference consists of several meetings
- Creation of a new meeting for appointed conference
- Meeting:
 - ◆ Meeting content: meeting name, meeting room name, meeting start time, sign in mode, quorum and conference content
 - ◆ Display of convoked meetings in distinct colors
 - ◆ Locking a convoked meeting for meeting data protection
- Freely switch between the meetings to manage

Main unit configuration facility

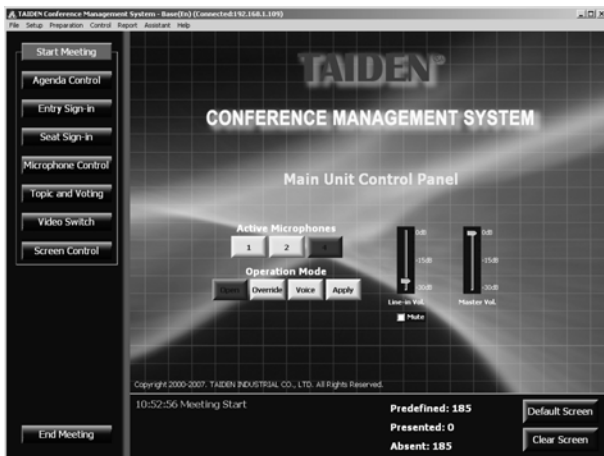


CMU parameters setup

Contribution unit configuration facility



Contribution unit setup interface



Main unit control panel

Functions

Set up and reconfigure internal parameters of the contribution unit by the administrator.

Parameters include:

- Contribution unit status (delegate/VIP)
- Easy reconfiguration of the internal settings
- Easy selection of any chairman unit to be executive chairman unit

Functions

Module provides **CMU parameters setup** and **CMU control panel** sub-modules.

- **CMU parameters setup:**
 - ◆ Voice sensitivity level: set sensitivity level to open microphone in "Voice" mode
 - ◆ Chairman priority mode: enable All off or All mute operation when chairman presses priority button
 - All off: turn off all delegate microphones
 - All mute: temporarily mute all delegate microphones; the former state is restored once the button released
 - ◆ Ring mode: turn on/off all kinds of ring tones of conference units triggered when applying to speak or IC-Card insertion
- **CMU control panel:** synchronously display and adjust the status of the conference main unit, for flexible control of the CMU by the operator
 - ◆ Active Microphones (1/2/4)
 - ◆ Operation mode (OPEN/OVERRIDE/VOICE/APPLY)
 - ◆ Original floor channel volume of the contribution unit (dB)
 - ◆ Line-in volume (dB)
 - ◆ Line-in mute

Information display



Screen management

System detection

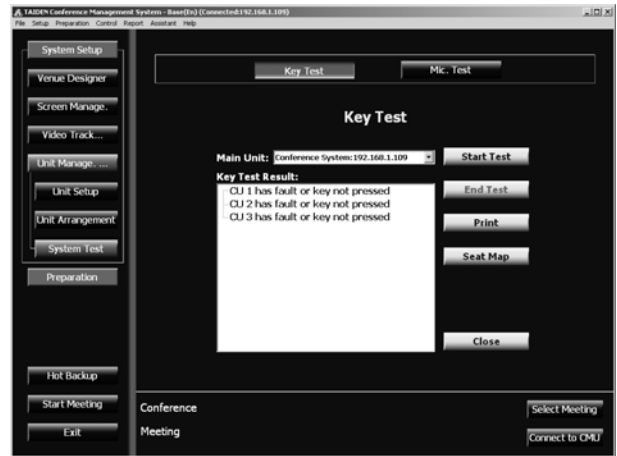


Microphone test interface

Functions

Includes screen management

- **Screen management:** design of a screen and its related activated event
 - ◆ Set distinct screen projects for distinct conferences and languages
 - ◆ Predetermination of screen page contents: includes page color, page name, page size, etc
 - ◆ Editing screen page contents: includes add text, picture, delegate's photo, voting results, etc.
 - ◆ Select the page to display when conference event starts. Each conference event corresponds to a particular screen page
 - ◆ Allocation of an alias for each screen for more convenience



Key test interface

Functions

Online system test facility, including **microphone test** and **key test**.

- **Microphone test,** includes:
 - ◆ Time setting for testing a microphone, valid for all microphones
 - ◆ Facility to issue white noise for testing assistance
 - ◆ Auto-detection of system-connected microphones with ID display of current tested microphone
 - ◆ Sequential automatic test procedure: once time setting value reached, the tested unit is cleared and the sequencing unit is processed
- **Key test:** starts key test for all system-connected contribution unit
 - ◆ Main unit IP address display
 - ◆ Contribution units enter key detection state for key tests immediately on start of key test routine
 - ◆ Result display on software interface on routine completion
 - ◆ Supports printout

Report system



Report system

Ordering Information

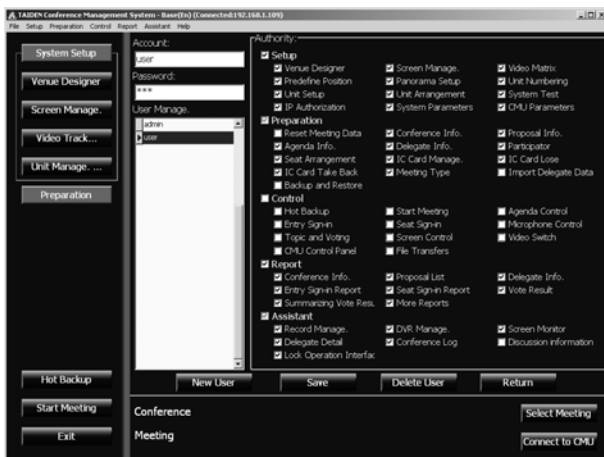
HCS-4210TS/20.....Basic System Setup Management Software Module

Functions

Conference information output from the software's database, for backup or printout purposes. The conference information includes:

- Conference information
- Proposal list
- Delegate information
- Sign-in report
- Voting result
- Summarizing voting results
- More reports

User management



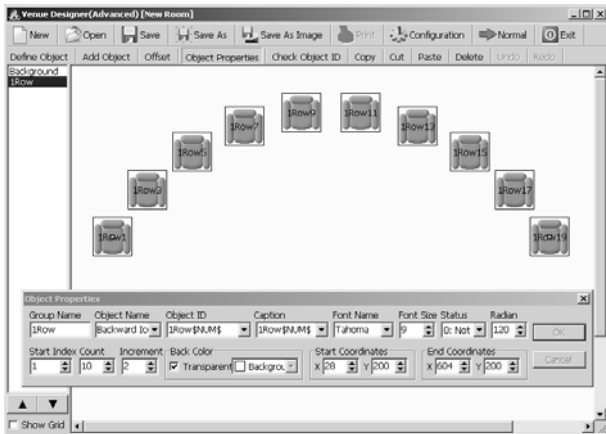
User management interface

Functions

Create/delete a user, change user password and authorization

- Create a new user, and set his/her account, password, authority
- Change user's password and authorization
- Supports deleting a user

HCS-4212TS/20 Professional Venue Design Module



Venue design (professional)

Functions

In distinction from the normal edition of the Venue Design Module, the professional version has additional powerful functions to design manifold layouts of venues. The main difference is the availability of functional buttons for file operation (toolbar buttons) and object operation (buttons below toolbar buttons) in the toolbars. In addition, the functions are also available in the file right-click pop-up menu. Moreover, the Object Properties dialog box is floating on the window for fast changing the properties of current object.

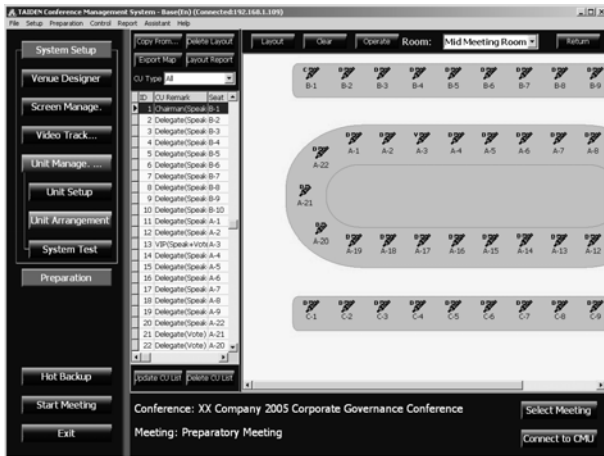
- File operation:
 - ◆ Venue design supports file operation, including: new, open, save as, and print
 - ◆ Create a new conference file: set the background color, room size and other parameters, including:
 - Background
 - Line number
 - Amount per line
 - Seat icon
 - Seat direction
 - Transparent icon or not
 - Show as MIC. icon or not
 - Re-arrange seat position or not
 - ◆ The parameters above can be changed at any time through "Configuration" menu on the toolbar
 - ◆ Add seat/microphone icons line by line, 8 seats/microphones per line as default value. The amount of seats/microphones per line can be modified. While the normal edition can add only one seat at one go, the professional venue design module can add groups with more than one seat/microphone per group
 - ◆ Shifting facility for complete layout
- Define object:
 - ◆ Picture library with default (customized and/or recurrent) objects
 - ◆ Modifiable object information, e.g. object name, image path, distinguishable colors for displaying object images in different states (e.g. signed-in etc.)

- Powerful "object properties" function: object attribute can be set and changed, including:
 - ◆ Set group name and object name
 - ◆ Set unique ID and ID display mode for every object, supporting different fonts and sizes
 - ◆ Set starting object status
 - ◆ Set a radian for the object group and design seat layout according to true seating positions
 - ◆ Set start index of the object group
 - ◆ Change the amount of the units in an object group
 - ◆ Set numbering increment
 - ◆ Set initial background color and whether transparent or not
 - ◆ Set start and end coordinates of object group
- Object ID check facilities
- Support object copy, cut, paste and delete operation
- Object arrangement can be changed

Ordering Information

HCS-4212TS/20..... Professional Venue Design Software Module

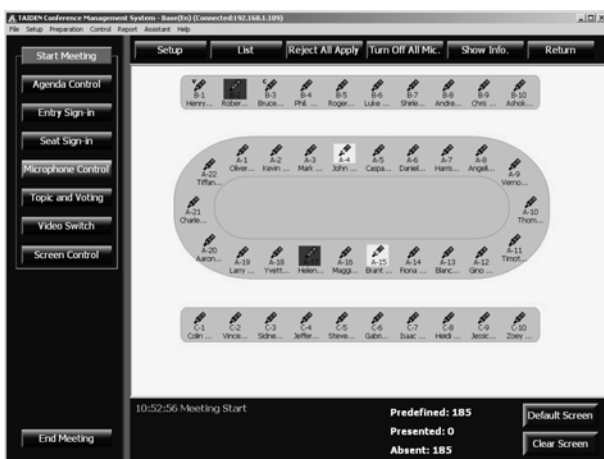
HCS-4213TS/20 Microphone Management Module



Unit arrangement



Delegate information



Microphone control

Functions

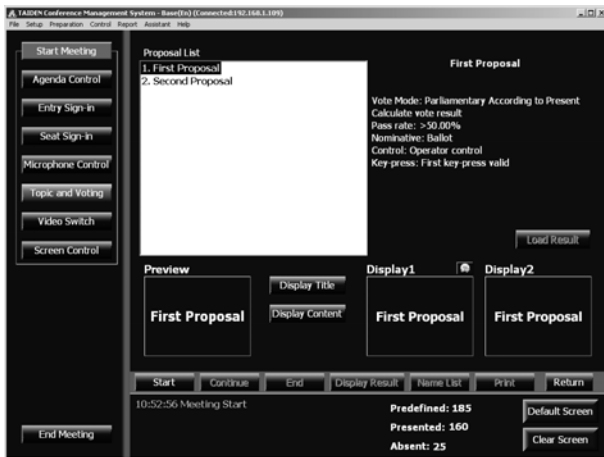
Seat arrangement, delegate management and microphone control sub-modules

- **Seat arrangement** facility includes delegate seating and unit arrangement function modules
 - ♦ Delegate seating is used to assign seats for the delegates, e.g.:
 - Assign a single seat for each delegate
 - Section seating, automatic seat assignment for a group of delegates, supports new assignment – in parts or entirely
 - Clear a single seat if required for a new assignment
 - ♦ Unit arrangement: assign the conference units to the corresponding positions based on the true delegate seating, current cabling and layout:
 - Unit arrangement, assign the conference units to the true delegate seating
 - Delete unit, reassign the units
 - Locate seat position by menu operation
 - Operate the arranged units to check the arrangement
- **Delegate management** includes two sub-modules: delegate information and participants
 - ♦ Delegate information: create and manage the delegate's database
 - Edit delegate information: number, type, name, voting weight, leader (yes or no), presidium (yes or no) etc. Supports individual picture in the database
 - Customer-specific options for above items
 - Supports customized delegate grouping
 - Fast search facility
 - Database updatable
 - ♦ Participants: select the delegates to participate in the conference from the database
 - List delegate information by group or by delegate type
 - Group adding function
- **Microphone control**: combined with venue design, seating arrangement, delegate management, conference management and microphone setup, for controlling and monitoring current microphone status, as well as automatic video tracking. Facility includes:
 - ♦ Microphone on/off control
 - ♦ Close all active microphone
 - ♦ Approve/deny delegates' speaking requests
 - ♦ Deny all speaking requests
 - ♦ Delegate speech timing
 - ♦ Record and save speaking
 - ♦ Detailed information available from the delegate database for online display purposes
 - ♦ If cooperating with an automatic video tracking system, camera presets can be made for each discussion unit to transmit speaker's picture simultaneously to a hall display

Ordering Information

HCS-4213TS/20.....Microphone Management Software Module

HCS-4214TS/20S Voting Management Module



Topic and voting



Display voting result



Delegate information

Functions

Voting management, seat arrangement and delegate management sub modules.

■ Voting management:

- ◆ Topics information management
 - Set up, save, add or delete topics file before the meeting
 - Open topics control interface and display topics content to large screen
 - Printout the topics list and information and distribute to delegates as meeting information
 - Multiple voting facilities available, suitable for various conferences, including:
 - ◇ Parliamentary: YES/NO/ABSTAIN
 - ◇ Questionnaire: 1/2/3/4/5
 - ◇ Audience response: --/-/0/+/>++
 - Control modes: chairman control/ operator control/time controlled voting
 - Calculation: predefined or in relation to the participants attending the meeting in person
 - Register mode: nominative/ballot
 - Validity mode: first key press valid/last key press valid
 - Pass rate: between 1% and 100%

- ◆ Display voting result to large screen
- ◆ Clear and vivid voting result display modes (numeric/bar/pie)
- ◆ Print or save voting result
- ◆ Sign-in before the voting to improve the security and validity of voting result

■ Seat arrangement facility includes delegate seating and unit arrangement function modules

- ◆ Delegate seating is used to assign seats for the delegates, e.g.:
 - Assign a single seat for each delegate
 - Section seating, automatic seat assignment for a group of delegates, supports new assignment – in parts or entirely
 - Clear a single seat if required for a new assignment
- ◆ Unit arrangement: assign the conference units to the corresponding positions based on the true delegate seating, current cabling and layout:
 - Unit arrangement, assign the conference units to the true delegate seating
 - Delete unit, reassign the units
 - Locate seat position by menu operation
 - Operate the arranged units to check the arrangement

■ Delegate management includes two sub-modules: delegate information and participants

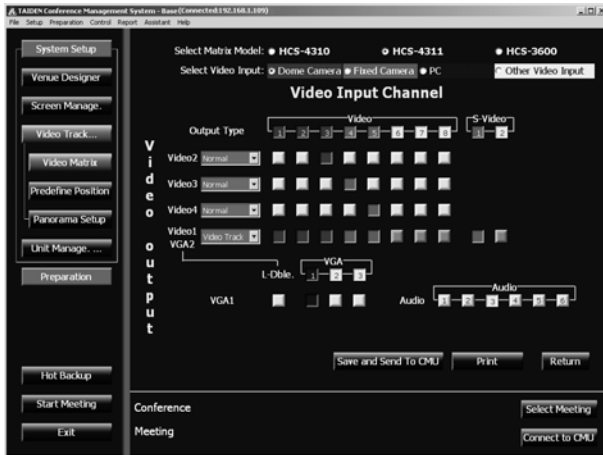
- ◆ Delegate information: create and manage the delegate's database
 - Edit delegate information: number, type, name, voting weight, leader (yes or no), presidium (yes or no) etc. Supports individual picture in the database
 - Customer-specific options for above items
 - Supports customized delegate grouping
 - Fast search facility
 - Database updatable

- ◆ Participants: select the delegates to participate in the conference from the database
 - List delegate information by group or by delegate type
 - Group adding function

Ordering Information

HCS-4214TS/20S.....Voting Management Software Module
(including delegate management,
multiform voting, less than 49 seats)

HCS-4215TS/20 Video Control Module



Video matrix



Panorama control

Functions

Carries out automatic video tracking when cooperating with camera and video switch unit.

- Set up video matrix: set input/output channels for computer, camera and other video apparatus according to the connections between video equipment and video switch unit. The configuration can be sent to the main unit for synchronization
- Video switch: switch among different input and output video signals according to the video matrix
- Camera preset: cooperating with microphone management module to set and adjust the camera preset for each seat/microphone and to transmit speaker's video picture simultaneously to a hall display
- Panorama control: preset the panorama of the conference venue

Ordering Information

HCS-4215TS/20.....Video Control Software Module

HCS-4219TS/20 Synchronous Audio Recording Module



Audio record interface

Functions

Records speakers' audio information:

- Integrated into **TAIDEN** conference management application software, easy to operate
- Automatic recording:
 - ◆ Begin/end automatic recording according to microphone on/off
 - ◆ Set up record audio quality
 - ◆ Once microphone enabled, speaking delegate's voice is recorded in audio file (WAV or MP3 format)
 - ◆ Saved audio file available for copying, playback, etc.
 - ◆ When using automatic recording function, the number of active microphones is limited to one
- If automatic audio recording is not activated, operator manually starts/stops recording. Record file name display
- Audio playback:
 - ◆ Integrated file management
 - ◆ Search facilities, search audio record file needed to playback quickly (by conference ID, speaker, begin time, continuous time, etc.)
 - ◆ "Playback All": recordings playback one by one
 - ◆ Recorded file playback, fast play, pause/stop etc.
 - ◆ General file format saving: saved file playback by conventional media player
 - ◆ Delete any recorded file or all recorded files

Ordering Information

HCS-4219TS/20.....Synchronous Audio Recording Management Software Module

HCS-4221TS/20 Multi-User Console Module



The primary window of multi-user console

Functions

If more than one operator is involved, a multi-user console is available for controlling speaking and voting, apart the system application software. A maximum of 5 multi-user consoles can be connected at the same time.

Basic conference control module:

- Microphone control
- Sign-in management
- Voting management
- Connect Server
- System parameters setup and download venue files from the server

Ordering Information

HCS-4221TS/20__Multi-User Conference Control Software Module

HCS-4222TS/20 Dual PC Server Hot Spare Module



Start to backup interface



Backingup interface

Functions

HCS-3600 dual PC server hot-spare is a disaster protective structure. If the main operating computer breaks down during a conference, the backup computer immediately substitutes the main computer and continues conference management.

After connection to main operating computer, the backup console application first starts an automatic backup (incl. database and conference related information). If there is any change in the database, the backup console application will update backup automatically.

Ordering Information

HCS-4222TS/20.....Dual PC Server Hot Spare Software Module

HCS-4223TS/20 Agenda Management Module



Agenda information



Agenda control

Functions

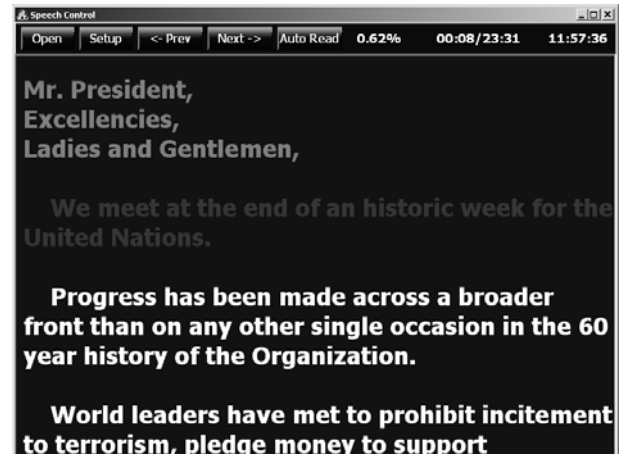
Agenda is a list of meeting activities in the order in which they are to be worked off. The agenda is prepared beforehand. It may include sign-in, voting and discussion. Agenda edit prepares all activities and their sequence to ensure convenience and a well arranged course of events. Agenda Management module consists of agenda information management and agenda control sub modules.

- **Agenda information management:** edit agenda content and sequence
 - ◆ Includes agenda name, agenda type and activity
 - ◆ Sequence of each activity can be adjusted - user can add, modify, delete an activity
- **Agenda control:** control the meeting process according to the pre-defined agenda content and sequence
 - ◆ Select an agenda from the agenda list and execute it
 - ◆ List the status of each agenda
 - ◆ Agenda can be edited, added, modified, or deleted during the meeting

Ordering Information

HCS-4223TS/20.....Agenda Control Software Module

HCS-4224TS/20 Speech Prompt Module



Functions

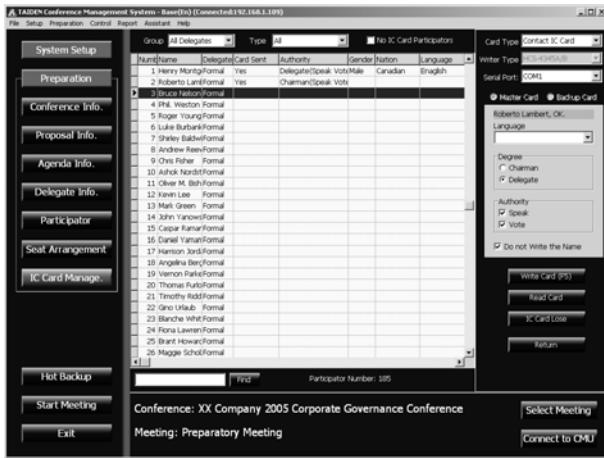
Speech Prompt Module is a displayed line-by-line reproduction of the speech to assist the speaker. The lecture unrolls smoothly and can be controlled manually or automatically.

- **Manual control:** unrolling sentence by sentence, operator can unroll the lecture by "Previous (Sentence)" or "Next (Sentence)"
- **Automatic control:** automatically unroll the lecture character by character, the scrolling rate can be set

Ordering Information

HCS-4224TS/20.....Speech Prompt Software Module

HCS-4226TS/20 Touched IC-Card Sign-in Management Module



IC-Card distribution



Delegate information

- **Delegate management** includes two sub-modules: delegate information and participants
 - ◆ Delegate information: create and manage the delegate's database
 - Edit delegate information: number, type, name, voting weight, leader (yes or no), presidium (yes or no) etc. Supports individual picture in the database
 - Customer-specific options for above items
 - Supports customized delegate grouping
 - Fast search facility
 - Database updatable
 - ◆ Participants: select the delegates to participate in the conference from the database
 - List delegate information by group or by delegate type
 - Group adding function

Ordering Information

HCS-4226TS/20.....Touched IC-Card Sign-in Management Software Module

Functions

IC-Card distribution, IC-Card loss, IC-Card take back and delegate management sub modules

- **IC-Card distribution:**
 - ◆ The IC-Card contains conference number, participant's number, identity, rights, etc.
 - ◆ Card authentication restricted to one conference facility. New authentication subject to IC-Card rewriting
 - ◆ Write IC-Card before IC-Card distribution:
 - Select participant's language
 - Select participant's degree (chairman or delegate)
 - Set participant's rights (speak/vote, chairman unit has speaking and voting rights automatically)
- **IC-Card loss:** report card loss. Cards counted for lost cannot carry out conference sign-in
- **IC-Card take back:** when the conference is over, the cards used during the conference can be taken back, erased and rewritten for next use

HCS-4243TS/50 Digital HD Video Recording Management Software Module



Preview interface

Functions

Digital HD Video Recording Management Software Module works on dual-core processor/4G or higher/Discrete graphic card/1440×900 (better)/DirectX 9.0 or higher Running Environment. With HCS-4130M series Professional Audio & Video Recorders can realize functions of video preview, video and record playback, meeting and management download, ect.

- **Preview, Playback, Download, Meeting and Management**
- **Include screen layout, preview, video record, meeting record playback, information management and meeting download:**
 - ◆ Screen layout: layout of multi sub screen, 4,6,8 or 9 sub screens
 - ◆ Preview
 - ◆ Record: record meeting video manually; if have connected to DCS, record start when meeting start
 - ◆ Playback: Files playback, must connect corresponding DVR
 - Playback video channel optional, playback all channels or any channel
 - Video display adjustable, 4:3 or 16:9
 - Support play/lull, stop, quick play and slow play
 - Support search by meeting, room or time, ect.
 - ◆ Information management: set up the connection of conference devices and synchronize meeting information from DVR to PC
 - ◆ Download: download video and audio files
 - select the partition time(10min, 30min, 60min, 90min or 120min) as stated capacity to partition the file into some sections to save
 - download type optional, include speak information, SI information and proposal information
 - userdefine information by time, define a new event from the selected conference by setting up the start time and end time

Ordering Information

HCS-4243TS/50.....Digital HD Video Recording Management
Software Module